

Industrial Model R10

Rate Indicator/Totalizer



Power:

Internal Battery	3V Lithium
Life Expectancy	5 Years

Physical:

Dimensions	See Reverse
Weight	2.2 Ounces
Case Material	Cyclac X-17
Display Size	0.43" High
Front Panel Rating	NEMA 4X with Provided Gasket
Operating Temp	32°F - 131°F
Operating Humidity	60% Non-condensing
Max Rec Wire Length	25 Ft.

Totalizer:

Type	Up-counting
Digits	8
Scaler Range	0.0001-100.0000
Decimal Point	5 Positions (Programmable)

Rate Indicator:

Type	1/Tau
Digits	4 (5 with Fixed Zero)
Scaler Range	0.001-9999
Decimal Point	5 Positions (Programmable)
Accuracy	±0.2%
Zero Time*	10 Seconds

Input B (low speed):

Type	Contact Closure
Speed	0-100 Hz
Low State	0-0.4 VDC for Min 10 ms
High State	2.0-28 VDC for Min 40 ms

Input A (high speed):

Type	Solid State Sourcing/Sinking
Speed	0-10 kHz
Low State	0-0.4 VDC for Min 80 ms
High State	2.0-28 VDC for Min 20 ms

*If the R10 does not receive a pulse within 10 seconds, the rate display will show zero.

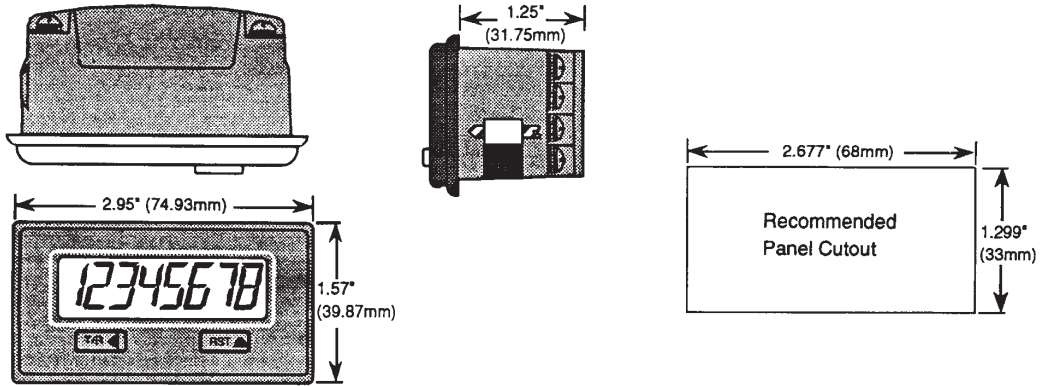
Description. The model R10 is an economical up-counting totalizer and a 1/Tau ratemeter. The ratemeter/totalizer has an 8 digit LCD display with 0.43" tall characters. Separately programmable count/rate scalars and decimal points allow for display of rate and count in various engineering units.

The R10 will show either flow rate or total by pressing the T/R mode select button on the front face of the unit. Other features include programmable reset enable/disable, remote reset, field replaceable 5 year battery, and high or low speed inputs.

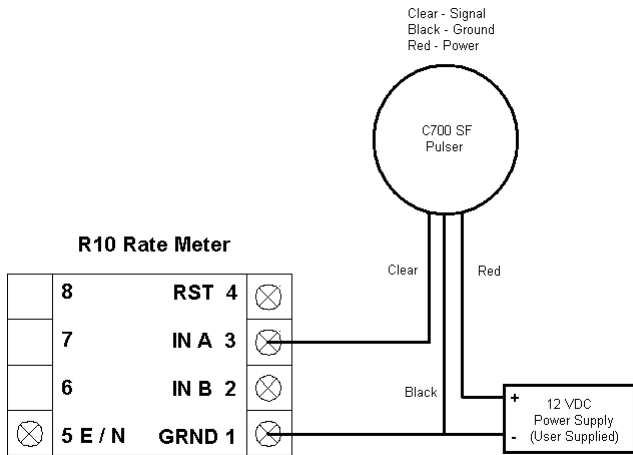
The low speed input is suited to contact closures such as reed switches or AMCO's "Type B" pulser on the C700 water meter. The high-speed input may be used with solid state, current sourcing pulsers such as AMCO's SF pulser (C700) and HRP (T3000). Wiring diagram examples are shown on the reverse page. Full size wiring diagrams detailing the connection of the R10 to AMCO's cold/hot water or oil meters are available from AMCO Water Metering Systems Inc.

One of the unique features of the R10 is the frequency capability of the low speed input. Similar ratemeters/totalizers have low speed input frequencies of 40 Hz or less, but the low speed input on the R10 will accept contacts at up to 100 Hz. Another notable benefit is the power assist feature that extends the battery life when a sourcing signal is applied to the high speed input (terminal 3).

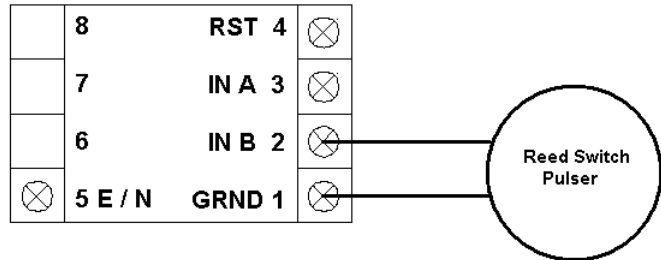




Sample Wiring Diagrams:



R10 Rate Meter



All AMCO reed switch pulsers are not polarity sensitive.
Install rate meter up to 25 feet from flowmeter.

Elster AMCO Water, Inc.
PO Box 1852
Ocala, FL 34478-1852
United States

T +1 800 874 0890
F +1 352 368 1950

watermeters@us.elster.com
www.elster.com

© 2007 by Elster. All rights reserved.

The company's policy is one of continuous product improvement and the right is reserved to modify the specifications contained herein without notice. These products have been manufactured with current technology and in accordance with applicable AWWA Standards.