

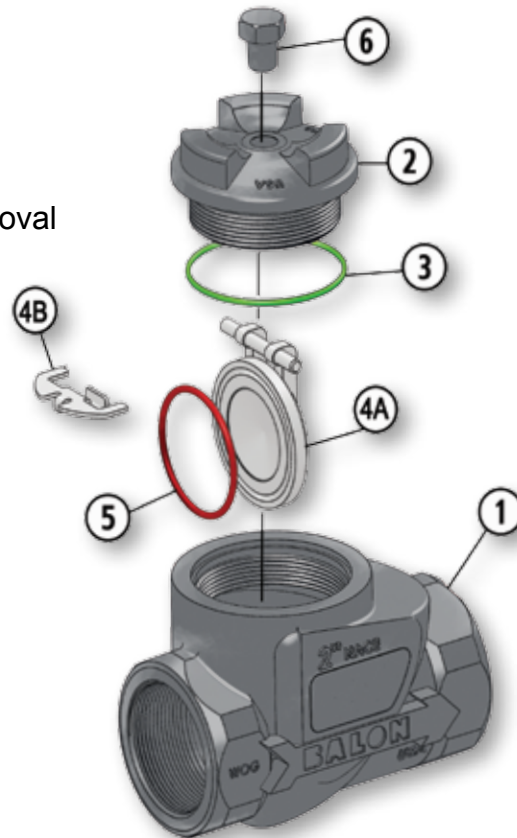
Threaded End Connection



Series D Carbon Steel

- Top Entry Swing Check Valve
- To 2500 PSI WP
- 1" Through 2"
- Threaded Body Construction

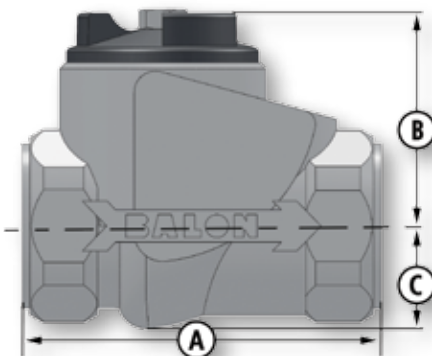
- Patented Hinge-Works for Extended Life
- Stainless Steel Disc Standard
- Improved by Design for Easier Bonnet Removal
- NACE Standard



Material Description

ITEM	PART NAME	DESCRIPTION
1	Body	ASTM A216 WCB/A105
2	Bonnet	ASTM A216 WCB/A105
3	Bonnet Seal	Fluorocarbon (Buna-N Optional)
4A	Disc	Replaceable 316 Stainless Steel
4B	Disc Hanger	Stainless Steel
5	Disc Seal	Fluorocarbon
6*	Pipe Plug	Carbon Steel

* Not available in 1"



Dimensional Data

SIZE	CATALOG	PORT	WP	A	B	C	LBS.
1	1F-D63-SE	1	1500	4.25	2.87	1.12	4.5
1	1F-D93-SE	1	2500	4.25	2.87	1.12	4.5
2	2F-D63-SE	2	1500	6	3.75	1.81	12
2	2F-D93-SE	2	2500	6	3.75	1.81	12