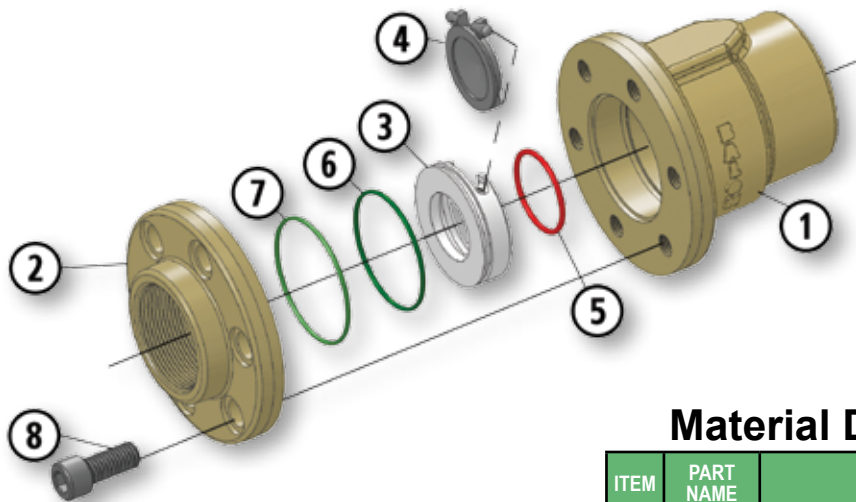


Threaded End Connection

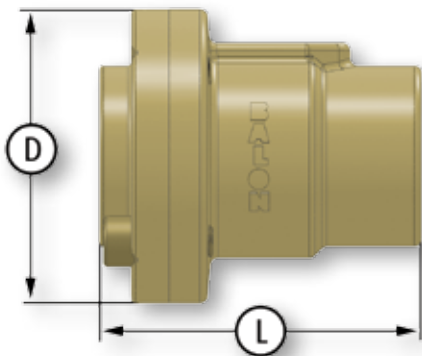
Series C Aluminum Bronze

- Swing Check Valve
- 3000 PSI WP
- 2"
- Bolted Body Construction
 - Enhanced Protection Against CO₂ and Saltwater Corrosion
 - Replaceable Seat Disc Cartridge
 - Seal Located in Seat, Thus Protected From Flow
 - NACE Standard
 - 316 Stainless Steel Disc Standard
 - Minimizes Risk of Galling Associated with Stainless Steel



Material Description

ITEM	PART NAME	DESCRIPTION
1	Body	ASTM B148 9D (955)
2	Adapter	ASTM B148 9D (955)
3	Seat	Replaceable 316 Stainless Steel
4	Disc	Replaceable 316 Stainless Steel
5	O-Ring	Seat Seal: Fluorocarbon
6	O-Ring	Assembly Seal: Fluorocarbon
7	O-Ring	Body Seal: Fluorocarbon
8	Bolts	ASTMA193 B7M



Dimensional Data

SIZE	CATALOG	PORT	D	L	LBS.
2	2R-C04S-SE	1.5	4.88	5.37	10.9