

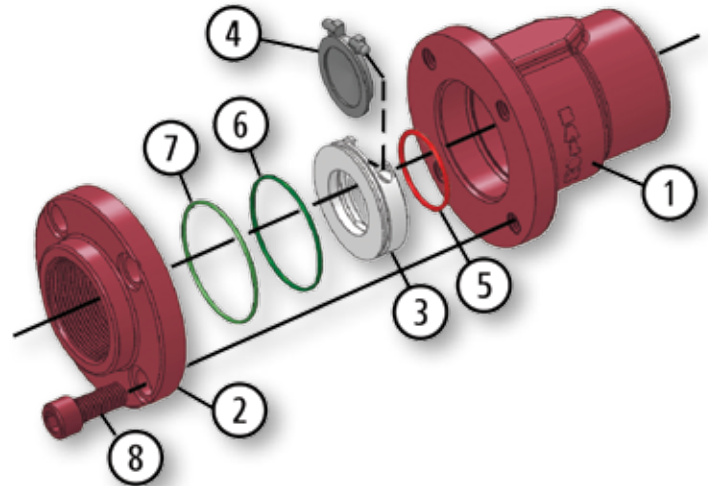
Threaded End Connection

Series C Ductile Iron

- Swing Check Valve
- 2000 PSI WP
- 2" Through 3"
- Bolted Body Construction

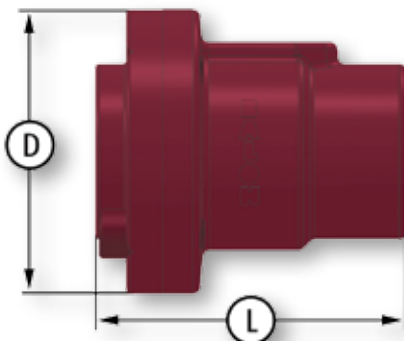


- Bolted Body Protects Against End Adapter Blowout
- High Grade Annealed Ductile Iron for Better Corrosion Resistance and Greater Yield Strength
- Replaceable Seat Disc Cartridge
- Seal Located in Seat, Thus Protected From Flow
- NACE Standard
- 316 Stainless Steel Disc Standard



Material Description

ITEM	PART NAME	CARBON STEEL SEAT	STAINLESS STEEL SEAT
1	Body	ASTM A395 Class 60-40-18 Fully Annealed	ASTM A395 Class 60-40-18 Fully Annealed
2	Adapter	ASTM A395 Class 60-40-18 Fully Annealed	ASTM A395 Class 60-40-18 Fully Annealed
3	Seat	Replaceable AISI 1018 Carbon Steel	Replaceable 316 Stainless Steel
4	Disc	Replaceable 316 Stainless Steel	Replaceable 316 Stainless Steel
5	O-Ring	Body Seal: Buna-N	Body Seal: Fluorocarbon
6	O-Ring	Assembly Seal: Buna-N	Assembly Seal: Fluorocarbon
7	O-Ring	Seat Seal: Fluorocarbon	Seat Seal: Fluorocarbon
8	Bolts	ASTM A193 B7M	ASTM A193 B7M



Dimensional Data

SIZE	CATALOG NUMBER		PORT	D	L	LBS.
	CARBON STEEL SEAT	STAINLESS STEEL SEAT				
2	2R-C92-SE	2R-C92S-SE	1.5	4.87	5.50	10
3	3R-C92-SE	3R-C92S-SE	2	6.75	7.25	24.3