

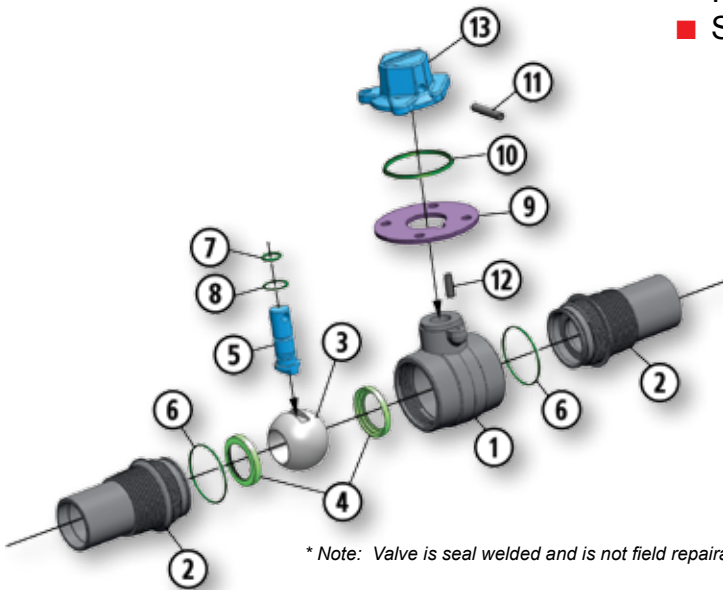
Weld X Weld Connection

Series US Weld X Weld Carbon Steel



- Weld End Ball Valve
- ANSI Class 150 (285 PSI WP)
- 2" Through 6"

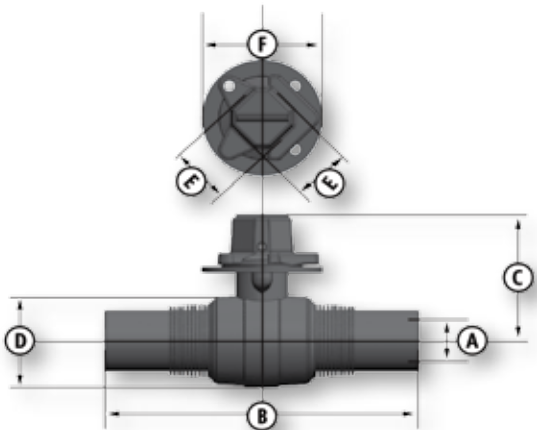
- Multi-Seal Seats
- Heat Dissipating Fins for Protection of Seats and Seals During Welding
- Rugged Stainless Steel Lock Plate
- Heavy Duty Forged Steel Components
- Solid Balls for Reduction of Turbulence and Pressure Drop
- Stainless Steel Stem Standard



* Note: Valve is seal welded and is not field repairable.

Material Description

ITEM	PART NAME	MATERIAL (STANDARD)
1	Body	ASTM A105
2	Adapter	ASTM A105
3	Ball	Carbon Steel - Nickel Chrome Plated
4	Seats	Nylon
5	Stem	316 Stainless Steel
6	Body O-Ring	Buna-N
7	Stem O-Ring	Buna-N
8	Stem Seal	TFE
9	Lock Plate	Stainless Steel
10	Weather Seal	Polyethylene
11	Roll Pin	Stainless Steel
12	Stop Pin	Stainless Steel
13	Drive Nut - 2" Square	Ductile Iron



Dimensional Data

SIZE	CATALOG	PORT/A	B	C	D	E	F	LBS.	Cv
2x1.5x2	2R-US13-BW	1.5	11.8	5	3.62	2	4.5	17	148
2x2x2	2F-US13-BW	2	11.8	5.50	4.50	2	4.5	23	-
3x3x3	3F-US13-BW	3	11.8	6.75	6.25	2	4.5	44	-
4x3x4	4R-US13-BW	3	12.8	6.75	6.25	2	4.5	45	662
4x4x4	4F-US13-BW	4	12.8	7.50	6.87	2	4.5	69	-
6x4x6	6R-US13-BW	4	13.8	7.50	6.87	2	4.5	71	800