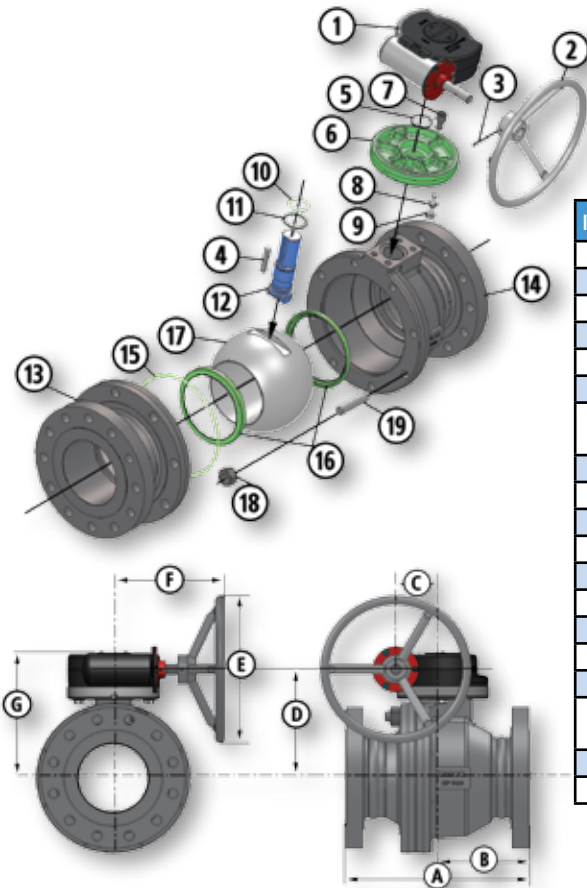


Flanged End Connection

Series F Carbon Steel

- Gear Operated Ball Valve
- ANSI Class 300 (740 PSI WP)
- 6" Through 8"
- Bolted Body Construction
 - Exclusive Balon Gearbox
 - ✓ Suitable for Buried Service
 - ✓ Stainless Steel Input Shaft Standard
 - ✓ Stainless Steel Directional Indicator
 - ✓ Integral Locking Device Standard
 - ✓ Manufactured in our Oklahoma City Plant
 - Multi-Seal Seats
 - Fire Safe Design
 - NACE Option With 316 Stainless Steel Ball and Stem Available
 - Maintenance Free



Material Description

| ITEM | PART NAME | MATERIAL (STANDARD) | MATERIAL (NACE) | LOW TEMP (NACE) |
|------|-----------------------|--------------------------------------|----------------------|-----------------------|
| 1 | Gear Operator | Ductile Iron | Ductile Iron | Ductile Iron |
| 2 | Hand Wheel | Carbon Steel | Carbon Steel | Carbon Steel |
| 3 | Drive Pin | Carbon Spring Steel | Carbon Spring Steel | Carbon Spring Steel |
| 4 | Stem Key | Steel Key Stock | Steel Key Stock | Steel Key Stock |
| 5 | Stem Retainer Ring | Carbon Spring Steel | Carbon Spring Steel | Carbon Spring Steel |
| 6 | Mounting Plate | Ductile Iron | Ductile Iron | Ductile Iron |
| 7 | Mounting Plate Screws | Alloy Steel | Alloy Steel | Alloy Steel |
| 8 | Lock Washers | Carbon Steel | Carbon Steel | Carbon Steel |
| 9 | Mounting Screws | Alloy Steel | Alloy Steel | Alloy Steel |
| 10 | Stem O-Ring | Buna-N | Fluorocarbon | Fluorocarbon |
| 11 | Stem Seal | TFE | TFE | TFE |
| 12 | Stem | Carbon Steel | 316 Stainless Steel | 316 Stainless Steel |
| 13 | End Adapter | ASTMA216 WCB/A105 | ASTMA216 WCB/A105 | ASTMA352 LCC/A350 LF2 |
| 14 | Body | ASTMA216 WCB/A105 | ASTMA216 WCB/A105 | ASTMA352 LCC/A350 LF2 |
| 15 | Body O-Ring | Buna-N | Fluorocarbon | Fluorocarbon |
| 16 | Ball Seats | Nylon (TFE Optional) | Nylon (TFE Optional) | Nylon (TFE Optional) |
| 17 | Ball | Carbon Steel Nickel Chrome Plated | 316 Stainless Steel | 316 Stainless Steel |
| 18 | Nuts | ASTM A194 2H | ASTM A194 2HM | ASTM A320 7M |
| 19 | Body Bolts | ASTM A193 B7 | ASTM A193 B7M | ASTM A320 L7M |

Dimensional Data

| SIZE | CATALOG NUMBER | | | PORT | A | B | C | D | E | F | G | LBS. | Cv |
|-------|--|------------------------------------|-----------------------------------|------|-------|------|---|------|----|---|-------|------|------|
| | STANDARD TRIM CARBON STEEL BALL & STEM | NACE TRIM 316 SS BALL & STEM | LOW TEMP 316 SS BALL & STEM | | | | | | | | | | |
| 6x6x6 | 6F-F33-RF | 6F-F33N-RF | 6F-F33NL-RF | 6 | 15.87 | 7.38 | 4 | 9.75 | 13 | 9 | 11.19 | 307 | - |
| 8x6x8 | 8R-F33-RF | 8R-F33N-RF | N/A | 6 | 16.50 | 7.69 | 4 | 9.75 | 13 | 9 | 11.19 | 409 | 2200 |