

P133 Pressure Regulator

- Suitable for Monitoring
- Bubble-tight Shut off
- Wide Pressure Range Offering

The P133 is a direct operated pressure reducing regulator used in commercial and industrial applications such as furnace and burners where accuracy and sensitivity is critical. The regulator utilizes a balanced diaphragm design that provides for the sensitivity and accuracy. The P133 is available in a low pressure or high pressure models and a broad range of outlet spring ranges. The P133 is also suitable in pressure monitoring applications.

Applications

- Industrial and Commercial Gas Regulation
- Compressors
- Gas Engines
- Natural Gas and Propane Applications



Materials of Construction

Adjusting Screw	Aluminum or Brass
Body	Ductile Cast Iron or WCB Steel
Bonnet	Aluminum
Cage	Aluminum
Diaphragm	Nitrile or Fluorocarbon
Housing	Aluminum
Molded Seat Assembly	Nitrile or Fluorocarbon
Orifice	Aluminum

P133 Wide Open Flow Coefficients

Capacity	Wide Open C_v for Relief Valve Sizing	Representative C_1
25% ⁽¹⁾	490	28.2
40% ⁽¹⁾	760	29.1
60% ⁽¹⁾	1150	31.8
100%	1800	35.0

1. Using optional restriction collar.

Specifications

	133L	133H
Maximum Inlet	60 psig	125 psig
Maximum Emergency Outlet	2 PSIG L Version	
	10 PSIG H Version	
Pressure Ranges	See Table 2	
Port Sizes	2 NPT	
Restrictor Collars	25%	
	40%	
	60%	
End Connections	2" NPT (Standard)	
	125 FF Flange (Iron Only)	
	150 RF Flange (Steel Only)	
Temperature Range	-40° F to 200° F	
	-40° C to 93° C	
Approx Weight	35 lbs. (15.9 kg)	

P133 Series Range Springs

Model	Spring Ranges		Spring Color	Part Number
	W.C. or PSI	Bar		
P133 L&H	2" - 4" W.C.	0.005 - 0.01	Brown	655-697-002
	3.5" - 6" W.C.	0.009 - 0.015	Red	655-697-003
	5" - 9" W.C.	0.012 - 0.022	Black	655-697-004
	8.5" - 18" W.C.	0.021 - 0.045	White	655-697-005
	14" - 28" W.C.	0.035 - 0.07	Green	655-697-006
	0.75 - 2 PSI	0.005 - 0.138	Dark Blue	655-697-007
	1.5 - 3.25 PSI	0.103 - 0.224	Orange	655-697-008
P133 H Version Only	2 - 5 PSI	0.138 - 0.345	Yellow	655-730-000
	5 - 10 PSI	0.345 - 0.689	Blue Stripe	655-659-004

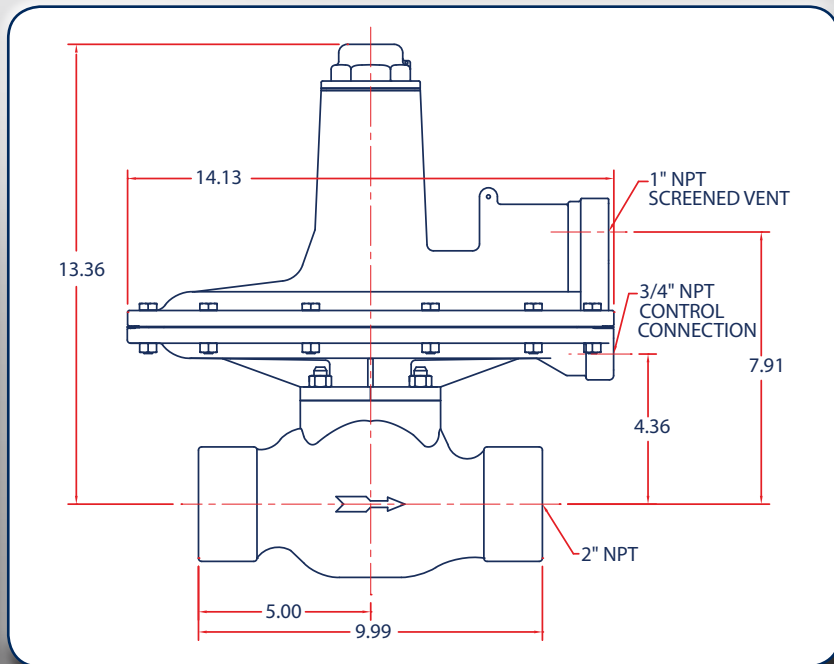
P133 Regulator Rebuild Kits

	Kit Includes	Part Number
Low Pressure Nitrile	Diaphragm, valve disk assembly, orifice O-ring, upper stem O-ring (2), body O-ring, sealing washers (2), bearing, guide bushing, closing cap gasket and orifice	971-P13-300
High Pressure Nitrile	Diaphragm, valve disk assembly, orifice O-ring, upper stem O-ring (2), body O-ring, sealing washers (2), thrust washer, bearing, guide bushing, closing cap gasket and orifice	971-P13-301
Low Pressure Fluorocarbon	Diaphragm, valve disk assembly, orifice O-ring, upper stem O-ring (2), body O-ring, sealing washers (2), bearing, guide bushing, closing cap gasket and orifice	971-P13-302
High Pressure Fluorocarbon	Kits Includes: Diaphragm, valve disk assembly, orifice O-ring, upper stem O-ring (2), body O-ring, sealing washers (2), thrust washer, bearing, guide bushing, closing cap gasket and orifice	971-P13-303

P133 Dimensions

Body Size	A		B	C	D		
	12.5 FF	150 RF Flange			NPT	12.5 FF	150 RF Flange
2"	10.0	10.0	8.0	13.48	4.4	4.4	4.4

P133 Standard

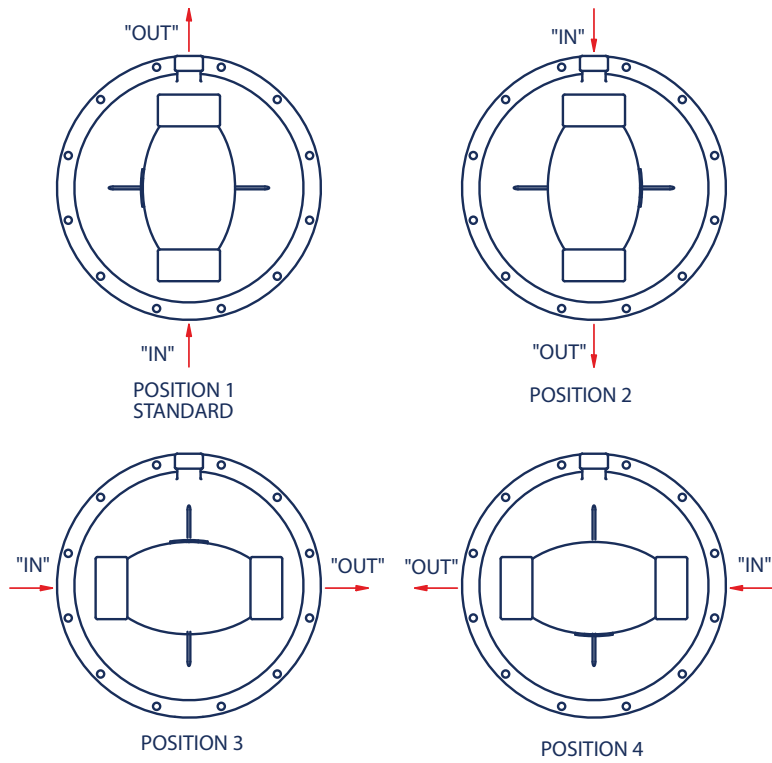


P133 Part Matrix

P133										
	↑									Version
L										Low Pressure
H										High Pressure
										Spring Range
										PSIG BAR
										2" - 4" W.C. 0.005 - 0.01
										3.5" - 6" W.C. 0.009 - 0.015
004										5" - 9" W.C. 0.012 - 0.022
006										8.5" - 18" W.C. 0.021 - 0.045
009										14" - 28" W.C. 0.035 - 0.07
018										0.75 - 2 PSI 0.005 - 0.138
028										1.5 - 3.25 PSI 0.103 - 0.224
002										2 - 5 PSI 0.138 - 0.345
003										5 - 10 PSI 0.345 - 0.689
005										
010										
										Special Construction
O										None
A										150 RF Flanged (Steel Only)
E										125 FF Flanged (Iron Only)
										Restriction Collar
00										None
25										25%
40										40%
60										60%
										Port Orientation
1										Up (Standard)
2										Down
3										Right
4										Left
										Bonnet Vent Position
C										12 O'Clock
D										3 O'Clock
E										6 O'Clock (Standard)
F										9 O'Clock
										Trim Material
0										Nitrile
2										Fluorocarbon
										Body Material
0										Iron
2										Steel

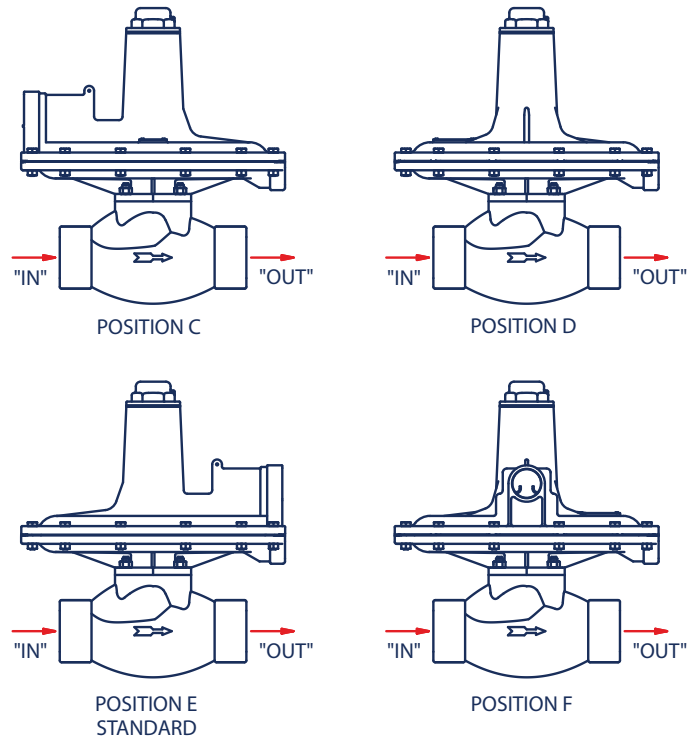
P133 Port Orientation

PORT ORIENTATION (ORDERING MATRIX DIGIT "12")



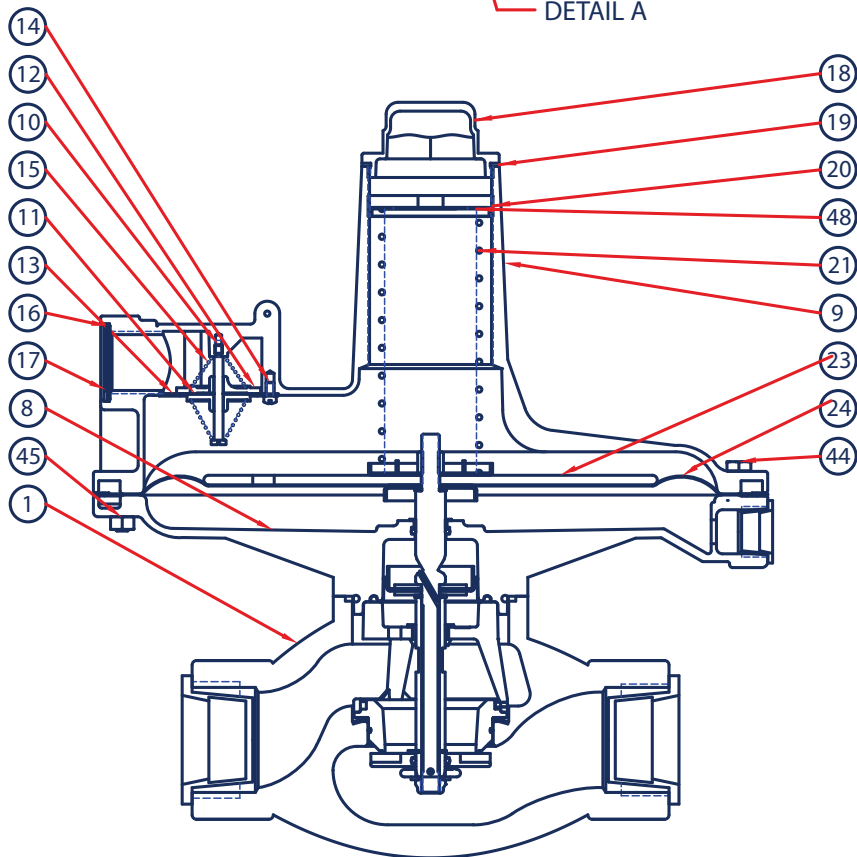
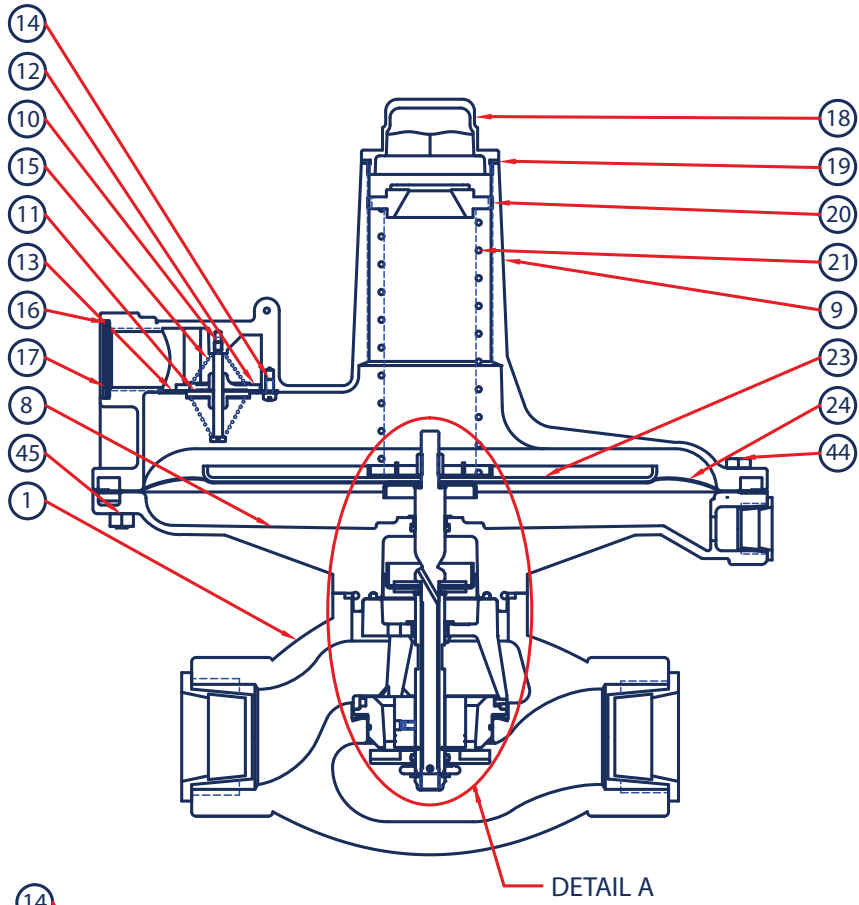
P133 Bonnet Vent Orientation

BONNET VENT ORIENTATION (ORDERING MATRIX DIGIT "13")



P133 Parts Drawing

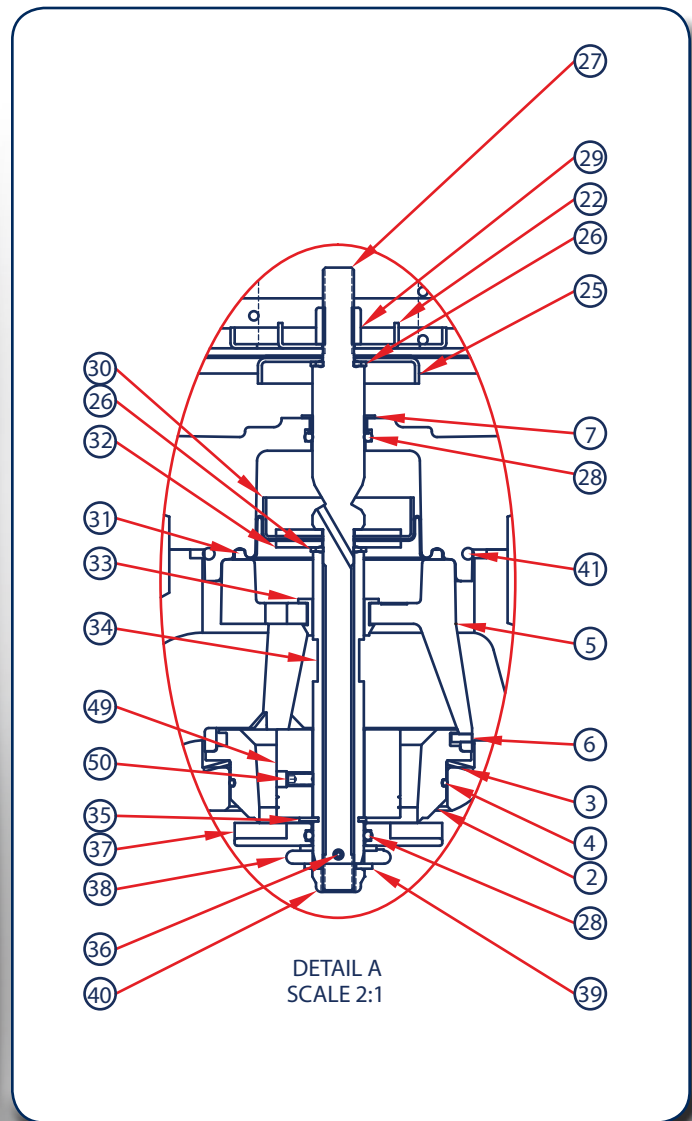
P133



P133 Parts List

Item	Description	Qty.	Part Number
1	Bodies	1	
	Iron - 2" NPT		664-363-000
	Steel - 2" NPT		664-361-001
2	Orifice - Aluminum	1	688-054-000
3	Belleville Washer	1	662-235-000
4	O-ring - Nitrile	1	649-317-000
	O-ring - Fluorocarbon		649-317-001
5	Cage - Aluminum	1	704-007-000
6	Cage Roll Pins	3	635-072-000
7	Stem Bearing	1	602-126-000
8	Lower Diaphragm Casing	1	629-230-000
9	Upper Spring Casing	1	604-230-000
	Vent Assembly Parts		
10	Flapper Stem	1	661-008-000
11	Lower Flapper	1	661-009-000
12	Upper Flapper	1	661-010-000
13	Seat Ring	1	650-136-000
14	Self-tapping Screw	3	648-502-000
15	Vent Port Spring	2	655-697-000
16	Screen	1	647-018-000
17	Snap Ring	1	693-021-000
18	Upper Spring Casing Cap	1	610-058-000
19	Casing Cap Gasket	1	624-068-000
20	Adjustment Screw - Low Pressure	1	648-504-000
	Adjustment Screw - High Pressure		648-536-000
21	Range Springs - Low & High Pressure	1	
	2" to 4" WC, Brown, Plated Steel		655-697-002
	3.5" to 6" WC, Red, Plated Steel		655-697-003
	5" to 9" WC, Black, Plated Steel		655-697-004
	8.5" to 18" WC, White, Plated Steel		655-697-005
	14" to 28" WC, Green, Plated Steel		655-697-006
	.75 to 2 psig, Blue, Plated Steel		655-697-007
	Range Springs - High Pressure Version Only		
	1.5 to 6 psig, Orange, Chrome Silicon		655-697-008
	2 to 5 psig, Yellow, Chrome Silicon		655-730-000
5 to 10 psig, Blue, Chrome Silicon	655-659-004		
22	Range Spring Seat	1	650-171-000
23	Upper Diaphragm Plates	1	
	Upper Diaphragm Plate - Low Pressure		638-071-000
	Upper Diaphragm Plate - High Pressure		638-070-000
24	Upper Diaphragms	1	
	Upper Diaphragm Plate - Low Pressure		618-094-000
	Upper Diaphragm Plate - High Pressure	618-094-001	
25	Diaphragm Sealing Plate	1	638-072-000
26	Sealing Washer - Nitrile	2	662-231-000
	Sealing Washer - Fluorocarbon		662-231-001
27	Stem - 416 Stainless Steel	1	689-007-000
28	O-ring - Nitrile	2	649-000-197
	O-ring - Fluorocarbon		649-000-342
29	Upper Stem Hex Nut	1	634-196-000
30	Lower Diaphragm Plate	1	638-069-000
31	Lower Diaphragms	1	
	Nitrile Lower Diaphragm		600-511-000
	Fluorocarbon Lower Diaphragm		600-511-001
32	Washer	2	662-232-000
33	Stem Guide Bushing	1	608-082-000
34	Stem Sleeve	1	653-056-000
35	Stem O-ring	1	693-025-000
36	Roll Pin	1	635-071-000

Item	Description	Qty.	Part Number
37	Valve Disk Assembly - Nitrile	1	822-039-000
	Valve Disk Assembly - Fluorocarbon		822-039-001
38	Registration Disk	1	619-064-000
39	Washer	1	662-233-000
40	Lower Stem Hex Nut	1	634-000-031
41	Body O-ring - Nitrile	1	649-000-257
	Body O-ring - Fluorocarbon		649-318-000
42	Body/Lower Casing Studs (not shown)	4	657-016-000
43	Body/Lower Casing Lock Nut (not shown)	4	634-184-000
44	Lower Casing/Upper Casing Screw	12	648-506-000
45	Lower Casing/Upper Casing Nut	12	634-174-000
47	Set Screw (not shown)	2	648-534-000
48	Thrust Washer - High Pressure only	1	662-234-000
49	Restrictor Collars	1	
	25% Capacity Restrictor		612-009-000
	40% Capacity Restrictor		612-010-000
	60% Capacity Restrictor		612-011-000
50	Restrictor Collar Set Screw	1	648-535-000



P133 Flow Capacities in SCFH (Nm³/h) of 0.6 Specific Gravity Natural Gas at 14.7 Psia and 60 °F

Inlet Pressure		Outlet Pressure Setting ⁽¹⁾ and Outlet Pressure Range													
		4 in. w.c. (10 mbar) 2 to 4 in. w.c. (5 to 10 mbar)		6 in. w.c. (15 mbar) 3.5 to 6 in. w.c. (8.7 to 15 mbar)		7 in. w.c. (17 mbar) 5 to 9 in. w.c. (12 to 22 mbar)		14 in. w.c. (35 mbar) 8.5 to 18 in. w.c. (21.2 to 44.8 mbar)		14 in. w.c. (35 mbar) 14 to 28 in. w.c. (35 to 70 mbar)		1 psig (0.07 bar) 14 to 28 in. w.c. (35 to 70 mbar)		2 psig (0.14 bar) 0.75 to 2 psig (0.05 to 0.14 bar)	
		1 in. w.c. (2.5 mbar) Droop SCFH (Nm ³ /h)	1 in. w.c. (2.5 mbar) Droop SCFH (Nm ³ /h)	1 in. w.c. (2.5 mbar) Droop SCFH (Nm ³ /h)	1 in. w.c. (2.5 mbar) Droop SCFH (Nm ³ /h)	2 in. w.c. (5 mbar) Droop SCFH (Nm ³ /h)	1 in. w.c. (2.5 mbar) Droop SCFH (Nm ³ /h)	2 in. w.c. (5 mbar) Droop SCFH (Nm ³ /h)	10% Droop SCFH (Nm ³ /h)	20% Droop SCFH (Nm ³ /h)	10% Droop SCFH (Nm ³ /h)	20% Droop SCFH (Nm ³ /h)			
1	0.07	14 (0.38)	13 (0.35)	12 (0.32)	5 (0.13)	8.4 (0.22)									
2	0.14	20.8 (0.56)	20 (0.54)	17 (0.46)	8.2 (0.22)	15.2 (0.41)				11.5 (0.31)	16 (0.43)				
3	0.21	26 (0.70)	24.5 (0.66)	21 (0.56)	12 (0.32)	19.5 (0.52)				15.5 (0.42)	21.5 (0.58)	12.5 (0.34)	18.5 (0.50)		
5	0.34	35 (0.94)	33 (0.88)	32 (0.86)	16 (0.43)	28 (0.75)	14 (0.38)	23 (0.62)	24 (0.64)	31.5 (0.84)	20.5 (0.55)	28 (0.75)			
10	0.69	52 (1.39)	52 (1.39)	48 (1.29)	34 (0.91)	45 (1.21)	26 (0.70)	38 (1.02)	37.5 (1.00)	44 (1.18)	38 (1.02)	46 (1.29)			
20	1.38	78 (2.09)	77 (2.06)	79 (2.12)	69 (1.85)	76 (2.04)	60 (1.61)	69 (1.85)	70 (1.88)	77 (2.06)	62 (1.66)	76 (2.04)			
30	2.07	101 (2.7)	100 (2.68)	100 (2.68)	91 (2.44)	97 (2.60)	87 (2.33)	93 (2.49)	90 (2.41)	101 (2.71)	87 (2.33)	101 (2.71)			
40	2.76	124 (3.32)	122 (3.27)	124 (3.32)	109 (2.92)	116 (3.11)	107 (2.87)	115 (3.08)	110 (2.95)	122 (3.27)	105 (2.81)	121 (3.24)			
50	3.45	146 (3.91)	144 (3.86)	145 (3.89)	130 (3.48)	136 (3.64)	132 (3.54)	137 (3.67)	127 (3.40)	145 (3.89)	124 (3.32)	145 (3.89)			
60	4.14	170 (4.56)	168 (4.50)	166 (4.45)	155 (4.15)	161 (4.32)	152 (4.07)	158 (4.23)	149 (3.99)	167 (4.48)	145 (3.89)	170 (4.56)			

1. Outlet pressure setting was made at approximately 10% of the maximum capacity for the listed conditions.

P133 Flow Capacities in SCFH (Nm³/h) of 0.6 Specific Gravity Natural Gas at 14.7 Psia and 60 °F

Inlet Pressure		Outlet Pressure Setting ⁽¹⁾ and Outlet Pressure Range												
		3 psig (0.21 bar) 1.5 to 3 psig (0.10 to 0.21 mbar)		2 psig (0.14 bar) 2 to 5 psig (0.14 to 0.34 mbar)		5 psig (0.34 bar) 2 to 5 psig (0.14 to 0.34 mbar)		5 psig (0.34 bar) 5 to 10 psig (0.34 to 0.69 mbar)		10 psig (0.69 bar) 5 to 10 psig (0.34 to 0.69 mbar)				
		10% Droop SCFH (Nm ³ /h)	20% Droop SCFH (Nm ³ /h)	10% Droop SCFH (Nm ³ /h)	20% Droop SCFH (Nm ³ /h)	10% Droop SCFH (Nm ³ /h)	20% Droop SCFH (Nm ³ /h)	10% Droop SCFH (Nm ³ /h)	20% Droop SCFH (Nm ³ /h)	10% Droop SCFH (Nm ³ /h)	20% Droop SCFH (Nm ³ /h)			
3	0.21			6.5 (0.17)	11.5 (0.31)									
5	0.34	14 (0.38)	22 (0.59)	11 (0.30)	18 (0.48)									
7	0.48	21.5 (0.58)	31 (0.83)	13 (0.35)	22 (0.59)	15.5 (0.42)	24 (0.64)	9 (0.24)	15 (0.40)					
10	0.69	28 (0.75)	42 (1.13)	15 (0.40)	27 (0.72)	24 (0.64)	35 (0.94)	14 (0.38)	22 (0.59)					
15	1.03	40 (1.07)	57 (1.53)	25.5 (0.68)	39 (1.04)	35 (0.94)	51 (1.37)	19 (0.51)	31.5 (0.84)	21 (0.56)	35 (0.94)			
20	1.38	52 (1.39)	72 (1.93)	35 (0.94)	52 (1.39)	46 (1.23)	67 (1.80)	24 (0.64)	41 (1.10)	31 (0.83)	51 (1.37)			
30	2.07	76 (2.04)	96 (2.57)	49 (1.31)	73 (1.96)	68 (1.82)	95 (2.55)	35 (0.94)	58 (1.55)	44 (1.18)	74 (1.98)			
40	2.76	98 (2.63)	119 (3.19)	66 (1.77)	97 (2.60)	88 (2.36)	117 (3.14)	44 (1.18)	73 (1.96)	56 (1.50)	97 (2.60)			
50	3.44	118 (3.16)	141 (3.78)	84 (2.25)	112 (3.00)	103 (2.76)	138 (3.70)	57 (1.53)	89 (2.38)	74 (1.98)	117 (3.14)			
60	4.14	136 (3.64)	165 (4.42)	104 (2.79)	132 (3.54)	122 (3.27)	156 (4.18)	65 (1.74)	106 (2.84)	91 (2.44)	136 (3.64)			

1. Outlet pressure setting was made at approximately 10% of the maximum capacity for the listed conditions.

P133 Flow Capacities in SCFH (Nm³/h) of 0.6 Specific Gravity Natural Gas at 14.7 Psia and 60 °F

Inlet Pressure		Outlet Pressure Setting ⁽¹⁾ and Outlet Pressure Range												
		25% Capacity				40% Capacity				60% Capacity				
		5 psig (0.34 bar) 2 to 5 psig (0.14 to 0.34 mbar)		10 psig (0.69 bar) 5 to 10 psig (0.34 to 0.69 mbar)		5 psig (0.34 bar) 2 to 5 psig (0.14 to 0.34 mbar)		10 psig (0.69 bar) 5 to 10 psig (0.34 to 0.69 mbar)		5 psig (0.34 bar) 2 to 5 psig (0.14 to 0.34 mbar)		10 psig (0.69 bar) 5 to 10 psig (0.34 to 0.69 mbar)		
10% Droop SCFH (Nm ³ /h)	20% Droop SCFH (Nm ³ /h)	10% Droop SCFH (Nm ³ /h)	20% Droop SCFH (Nm ³ /h)	10% Droop SCFH (Nm ³ /h)	20% Droop SCFH (Nm ³ /h)	10% Droop SCFH (Nm ³ /h)	20% Droop SCFH (Nm ³ /h)	10% Droop SCFH (Nm ³ /h)	20% Droop SCFH (Nm ³ /h)	10% Droop SCFH (Nm ³ /h)	20% Droop SCFH (Nm ³ /h)			
7	0.48	8.0 (0.21)	9.0 (0.24)			11.0 (0.0)	15.0(0.40)			13.0 (0.35)	17.0 (0.46)			
10	0.69	12.3 (0.33)	13.0 (0.35)			16.5 (0.44)	20.0 (0.54)			20.0 (0.54)	25.0 (0.67)			
15	1.03			13.0 (0.35)	15.5 (0.42)			16.5 (0.44)	23.5 (0.63)			20.0 (0.54)	29.5 (0.79)	
20	1.38	20.8 (0.56)	21.2 (0.57)	17.5 (0.47)	20.0 (0.54)	31.5 (0.84)	33.5 (0.90)	23.5 (0.63)	30.5 (0.82)	36.0 (0.96)	46.5 (1.25)	29.0 (0.78)	39.5 (1.06)	
40	2.76	33.5 (0.90)	33.5 (0.90)	33.0 (0.88)	33.5 (0.90)	52.0 (1.39)	53.2 (1.43)	46.0 (1.23)	53.2 (1.43)	70.0 (1.88)	77.5 (2.08)	57.0 (1.53)	74.5 (2.00)	
60	4.14	45.5 (1.22)	45.5 (1.22)	45.5 (1.22)	45.5 (1.22)	72.7 (1.95)	72.7 (1.95)	67.0 (1.80)	72.7 (1.95)	105.0 (2.81)	107.0 (2.87)	87.0 (2.33)	107 (2.87)	

1. Outlet pressure setting was made at approximately 10% of the maximum capacity for the listed conditions.

P133 Flow Capacities in SCFH (Nm³/h) of 0.6 Specific Gravity Natural Gas



Outlet Pressure, Spring Part Number, and Accuracy	Inlet Pressure		NPT 2 (DN 50) Body Size					
			Orifice Size, Inches (mm)					
	PSIG	BAR	1/4 (6.4)	3/8 (9.5)	1/2 (13)	3/4 (19)	1 (25)	1-3/16 (30)
4 inches w.c. (10 mbar) 655-697-002 or 655-697-003 1 inch w.c. (2 mbar) droop 2 inches w.c. (5 mbar) boost	0.4	0.028				1200 (32.3)	1600 (42.8)	1800 (48.2)
	0.5	0.034				1700 (45.6)	2200 (58.9)	2400 (64.3)
	1	0.07	400 (10.7)	900 (24.1)	1300 (34.8)	2800 (75.0)	3200 (85.8)	3800 (102)
	1.5	0.10	500 (13.4)	1100 (29.5)	1700 (45.5)	3600 (96.5)	4300 (115)	5000 (134)
	2	0.14	600 (16.1)	1400 (37.5)	2200 (58.9)	4500 (121)	5500 (147)	6400 (172)
	5	0.34	1000 (26.8)	2300 (61.6)	3700 (99.2)	7800 (209)	9500 (255)	12700 (340)
	13	0.90	1650 (44.2)	3700 (99.2)	6500 (174)	13000 (348)	14000 (375)	14500 (389)
	25	1.7	2500 (64.3)	5200 (139)	9200 (247)	13000 (348)	18000 (482)	
	60	4.1	4450 (119)	9000 (241)	14550 (390)	15000 (402)		
	100	6.9	5500 (147)	9500 (255)	12900 (346) ⁽¹⁾			
125	8.6	7250 (194)	3900 (105) ⁽¹⁾					
7 inches w.c. (17 mbar) 655-697-004 1 inch w.c. (2 mbar) droop 2 inches w.c. (5 mbar) boost	0.4	0.028				950 (25.5)	1400 (37.5)	1600 (42.8)
	0.5	0.034				1500 (40.2)	1800 (48.2)	2000 (53.6)
	1	0.07	400 (10.7)	800 (21.4)	1200 (32.2)	2300 (61.6)	2800 (75.0)	3300 (88.4)
	1.5	0.10	500 (13.4)	1050 (28.1)	1600 (42.8)	3100 (83.1)	3600 (96.5)	4500 (121)
	2	0.14	600 (16.1)	1300 (34.8)	2000 (53.6)	4000 (107)	4500 (121)	6000 (161)
	5	0.34	1000 (26.8)	2100 (56.3)	3500 (93.8)	7700 (206)	9400 (252)	9400 (252)
	13	0.90	1650 (44.2)	3500 (93.8)	6400 (172)	10000 (268)	20200 (541)	21200 (568)
	25	1.7	2400 (64.3)	5200 (139)	10300 (276)	20000 (536)	11800 (316) ⁽¹⁾	
	60	4.1	4450 (119)	9000 (241)	12000 (322)	20700 (555)		
	100	6.9	7500 (201)	10000 (268)	13100 (351)			
125	8.6	9500 (255)	10300 (276)					
11 inches w.c. (17 mbar) 655-697-005 ± 2 inches w.c. (5 mbar)	0.5	0.03				800 (21.4)	1500 (40.2)	1600 (42.8)
	1	0.07	400 (10.7)	750 (20.1)	1100 (29.5)	1800 (48.2)	2500 (64.0)	2600 (69.7)
	1.5	0.10	500 (13.4)	1000 (26.8)	1450 (38.9)	2500 (67.0)	3400 (91.1)	3350 (89.8)
	2	0.14	600 (16.1)	1200 (32.2)	1700 (45.6)	3100 (83.1)	4200 (113)	3750 (101)
	5	0.34	1000 (26.8)	2000 (53.6)	3000 (80.4)	7300 (196)	7000 (188)	8500 (228)
	13	0.90	1600 (42.9)	3400 (91.1)	6200 (166)	10350 (277)	17650 (473)	18100 (485)
	25	1.7	2400 (64.3)	5650 (151)	10350 (277)	19300 (517)	23450 (628)	
	60	4.1	4450 (119)	11350 (304)	19300 (517)	20200 (541)		
	100	6.9	7450 (200)	16650 (446)	20200 (541)			
	125	8.6	9500 (255)	17500 (469)				
14 inches w.c. (35 mbar) 655-697-005 ± 2 inches w.c. (5 mbar)	1	0.07	450 (12.1)	700 (18.8)	1100 (29.5)	1500 (40.2)	1700 (45.6)	2700 (72.4)
	1.5	0.10	550 (14.7)	850 (22.8)	1200 (32.3)	1900 (50.9)	2700 (72.4)	3600 (96.5)
	2	0.14	600 (16.1)	1000 (26.8)	1900 (50.9)	2800 (75.0)	3800 (102)	3800 (102)
	5	0.34	1050 (28.1)	1750 (46.9)	2800 (75.0)	4000 (107)	5300 (142)	10600 (284)
	13	0.90	1750 (46.9)	3700 (99.2)	5700 (153)	14400 (386)	18000 (482)	18500 (496)
	25	1.7	2600 (69.7)	5700 (153)	10200 (273)	18000 (482)	25400 (681)	
	60	4.1	4800 (129)	10900 (292)	11000 (295)	19600 (525)		
	100	6.9	7400 (198)	16500 (442)	14100 (378)			
	125	8.6	9100 (244)	18000 (482)				
	20 inches w.c. (50 mbar) 655-697-006 ± 3 inches w.c. (7 mbar)	1	0.07	300 (8.04)	750 (20.1)	550 (14.7)	1250 (33.5)	1700 (45.6)
2		0.14	500 (13.4)	1150 (30.8)	1700 (45.6)	1900 (50.9)	2350 (62.9)	3250 (87.1)
5		0.34	900 (24.1)	1650 (44.2)	2150 (57.6)	3250 (87.1)	6400 (172)	6700 (180)
13		0.90	1500 (40.2)	2550 (68.3)	4350 (117)	5950 (159)	10150 (272)	10500 (281)
25		1.7	2450 (65.7)	4850 (130)	7200 (193)	18100 (485)	19200 (515)	
60		4.1	4900 (131)	9400 (252)	19600 (525)	22700 (608)		
100		6.9	7500 (201)	17400 (466)	13800 (370)			
125		8.6	9150 (245)	5500 (147) ⁽¹⁾				

1. Limited due to boost

- Shaded areas show where indicated droop would be exceeded regardless of capacity.
- Shaded areas show where maximum operating inlet pressure for a given port diameter is exceeded.