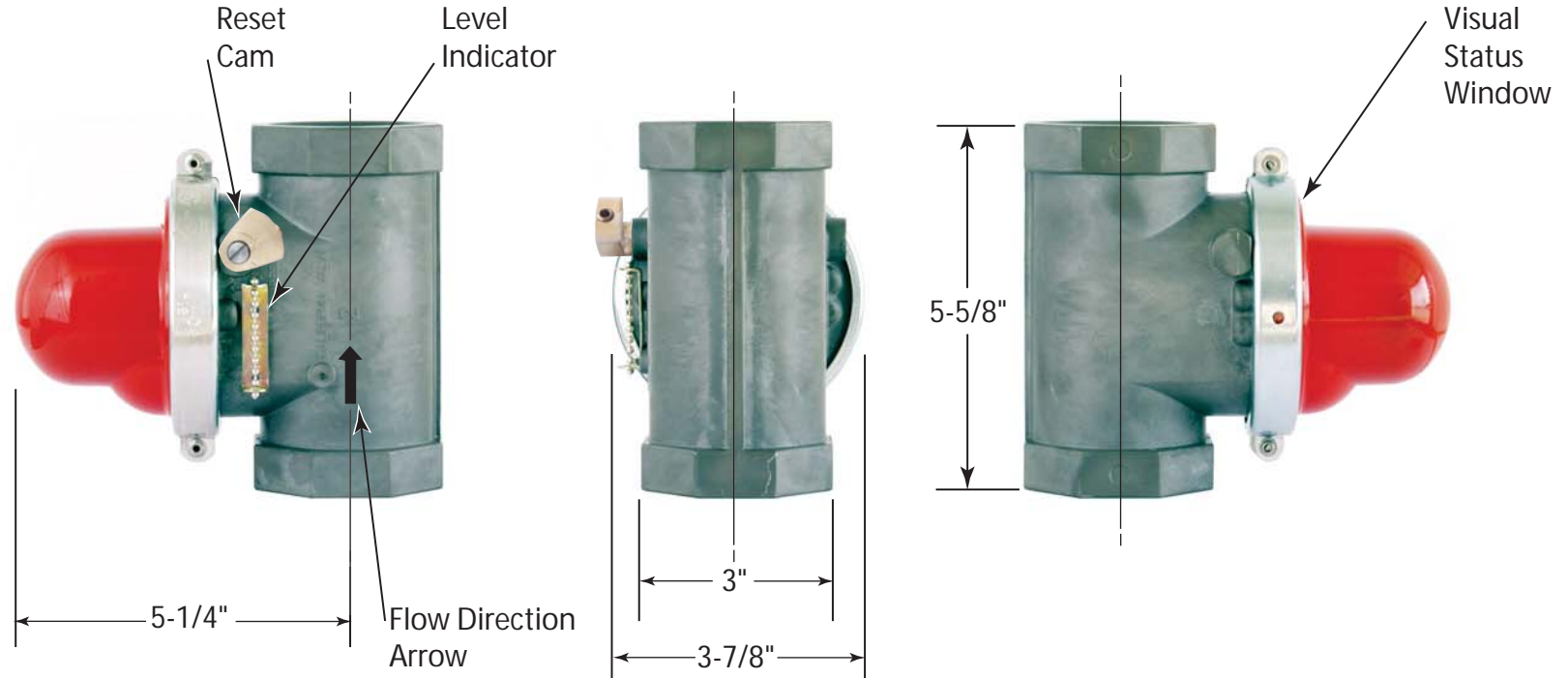


Specifications: Model VB-314(60) NPT Valve

Vertical - Bottom In Flow



Valve Model#	CA-DSA No.	Length	Height	Octagon	Nominal Pipe Size	Threads Per Inch	APPLICATION DATA	
							Max. Pressure	Fuel
VB-314	60-02	5-1/4"	5-5/8"	3"	2"	11-1/2	60 psi	Dry Fuel Gas

