

# Series B3

## 38M175 ROOTS® Meter

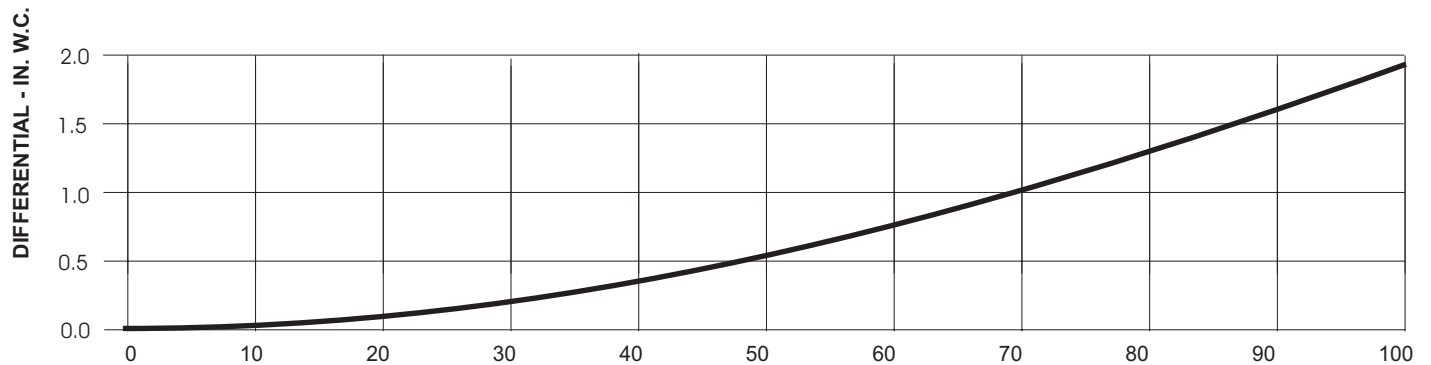
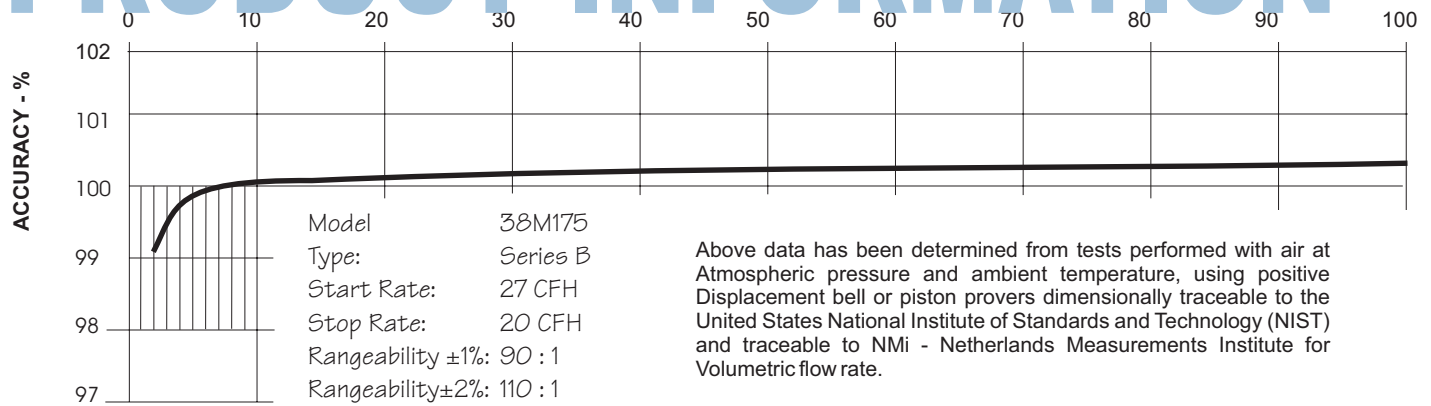
### 38M175 Series B3

	UNITS	Imperial	UNITS	Metric
Temperature Range	Deg. F	-40 to +140	Deg. C	-40 to +60
Base Rating (Q Max.)	acfh	38000	m <sup>3</sup> /h	1076
Max. Operating Pressure (MAOP)	psig	175	kPa	1200
Leak Test (125% MAOP)	psig	219	kPa	1510
Static Test (2 x MAOP)	psig	350	kPa	2413
Rangeability +/- 1%	ratio	90:1	ratio	90:1
Rangeability +/- 2%	ratio	110:1	ratio	110:1
Start Rate	cfh	27	m <sup>3</sup> /h	0.7600
Stop Rate	cfh	20	m <sup>3</sup> /h	0.5700
Flow Rate @ 1.24 mbar, Gas	cfh	20600	m <sup>3</sup> /h	583
Differential, 100% Flow	in. w.c.	1.5	mbar	4.58
Max. Pressurization Rate	psig/sec	5	kPa/sec	35
Max. Operating Speed	rpm	1140	rpm	1140
Gear Ratio	ratio	180:1	ratio	180:1
Displaced Volume/Rev.	cf	0.55556	m <sup>3</sup>	0.01573
Drive Rate, CD	cf/rev	100	m <sup>3</sup>	1
Drive Rate, TC	cf/rev	N/A	m <sup>3</sup>	N/A
TC Compensating Range (TC, TD)	Deg. F	-20 to +120	Deg. C	N/A
Min. Odometer Reading	cf	2.0	m <sup>3</sup>	0.02
Odometer Turnover	yrs.	3.0	yrs.	3.0
Nominal Pipe Size	in.	6	mm	150
Flange-to-Flange	in.	18	mm	457.0
Flange Connection	ansi	125# FF	ansi	125# FF
Bolts per Flange	qty.	8	qty.	8
Bolt Size**	in.	3/4 x 10	in.	3/4 x 10
Flange Bolt Hole Depth	in.	1-5/8	mm	41.2
Torque: Lubricated / Non-Lub.	ft. lb.	80	N-m	108
Restricting Orifice (120%)	in.	1-29/32	mm	48.419
Oil Capacity - Meter Body				
Side Inlet	oz.	40.2	ml	1200
Top Inlet	oz.	154	ml	4600
Counter Version (CTR)				
Net Weight	lbs.	244	kg	115.77
Shipping Weight	lbs.	274	kg	133.93
Carton Size	in.	45x25x25	cm	114x64x64
Counter w/ Inst. Drive (CD)				
Net Weight	lbs.	247	kg	115.77
Shipping Weight	lbs.	277	kg	133.93
Carton Size	in.	45x25x25	cm	114x64x64

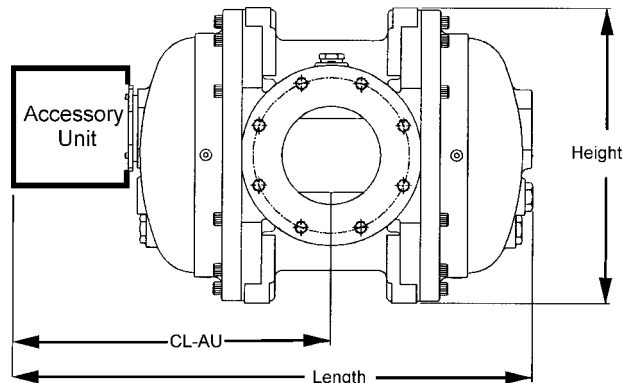
Weights & dimensions available for CPS, TC, TD,  
TPS upon request.

\*\* Bolt Length varies by application

# PRODUCT INFORMATION



38M175 Series B3	Overall Length		Overall Height		Width (Flange/Flange)		Centerline to Accessory End (CL-AU)		Request Detailed Drawing Number
	inches	mm	inches	mm	inches	mm	inches	mm	
CTR	34-5/8	879	18	457	18	457	14-25/32	375	D054750-000
CD	38-3/16	967	18	457	18	457	23-7/32	590	D054433-000
CPS	36-3/4	933	18	457	18	457	14-25/32	375	D054751-000
VCC	36-1/2	927	18	457	18	457	21-17/32	547	D054239-000
VTC	36-15/16	938,2	18	457	18	457	21-31/32	558	D054494-000



## To order:

Specify, meter Series, Size and Type (i.e., ROOTS Meter Series B3 38M175 CD).  
 For CD or TD, specify Inlet (Top or Side) and ID Rotation (CW-B or CCW-A)  
 For Pulsar, specify Single or Dual Connectors and Connector Type (Amphenol or Conduit).  
 For more specific ordering information on the electronic products, request: S:SSP, S:VTC or S:VCC.  
 Contact the factory for other available information, options, or special requests.

## DMD DRESSER DRESSER MEASUREMENT OPERATION

P.O. Box 42176 Houston, Texas, USA 77242-2176  
 Phone: 713-972-5000 Fax: 713-972-5003

**ROOTS®**  
 Measurement  
 Products

## DRESSER UK LTD. Warrington Operations

Rufford Court, Hardwick Grange Warrington, Cheshire WA1 4RF  
 Phone: 44-1925-8145456 Fax: 44-1925-816128

## DRESSER INDUSTRIAL PRODUCTS B.V.

Industrieterrein 4-NL 5981 NK P.O. Box 7163 - NL 5980 AD Panningen, The Netherlands  
 Phone: 31 7730-77122 Fax: 31 7730-76494