

PARTS LIST - 12" V-8" Dual Port Valves

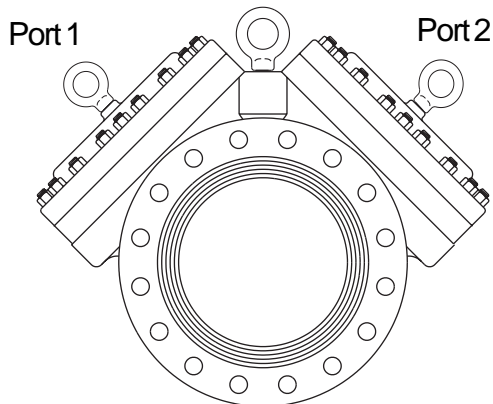
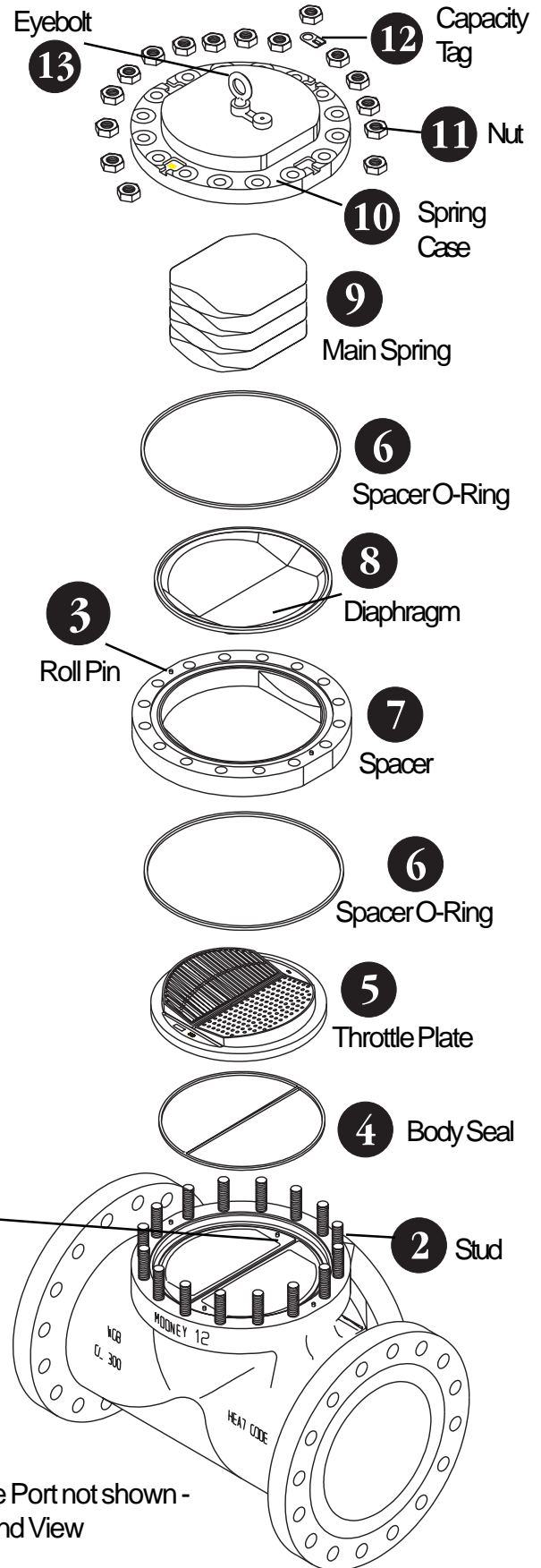
12" V-8"
Dual Port

Includes: 12" V-8" Dual Port RF Flanged CL 150 - 600

Item	Description	Material	Part Number	Quantity
1	Body - Dual Port 12" CL 150 RF Flanged (FG-74) [†] 12" CL 300 RF Flanged (FG-75) [†] 12" CL 600 RF Flanged (FG-81) [†]	Carbon Steel (A216 Gr. WCB)	112-003-01 112-002-01 112-004-01	1
2	Stud 150 / 300 Class (3/4-10 UNC x 5.50) 600 Class (7/8-9 UNC x 6)	ANSI B-7	031-017-01 031-018-01	32 48
3	Roll Pin (1/4 x 1/2)	Steel	035-006-01	12
4	Body Seal	Nitrile	108-016-01	2
5	Throttle Plate 100% Capacity Drilled Hole 75% Capacity Drilled Hole 50% Capacity Drilled Hole 35% Capacity Drilled Hole	17-4PHSST	108-012-01 108-013-01 108-014-01 108-015-01	2
6	Spacer O-Ring	Nitrile	021-383-01	4
7	Spacer 150/300 Class 600 Class	Carbon Steel (A216 Gr. WCB)	108-011-01 108-010-01	2
8	Diaphragm 75 Durometer 60 Durometer 80 Durometer Hi-ACN 80 Durometer Lo-ACN	Nitrile / Nylon Nitrile / Nylon Nitrile / Nylon Nitrile / Nylon	108-002-01 108-002-02 108-002-03 106-002-04	2
9	Main Spring	301 Stainless Steel	108-009-01	2
10	Spring Case 150 / 300 Class 600 Class	Carbon Steel (A216 Gr. WCB)	108-008-01 108-007-01	2
11	Nut 150 / 300 Class (3/4 UNC) 600 Class (7/8 UNC)	ANSI 2H	032-004-01 032-005-01	32 48
12	Capacity Tag 150/300 Class (3/4) 600 Class (5/8)	Brass	100-014-01 100-013-01	2 2
13	Eyebolt Spring Case (5/8) Valve Body (3/4)	Steel	033-004-01 033-002-01	3 2 1

Boxed items indicate recommended spare parts

[†] (FG-*) Indicates stock number for the Flowgrid Valve Assembly associated with each body



End View

Duplicate Port not shown - refer to End View