

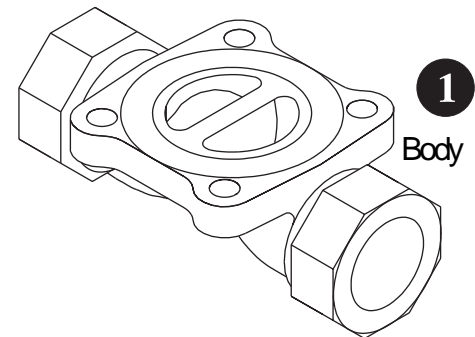
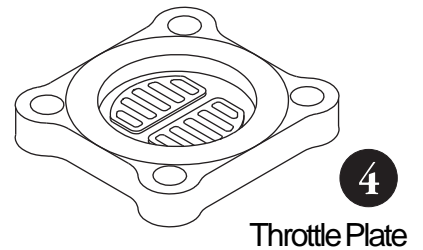
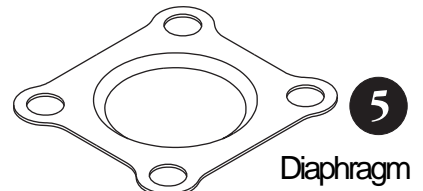
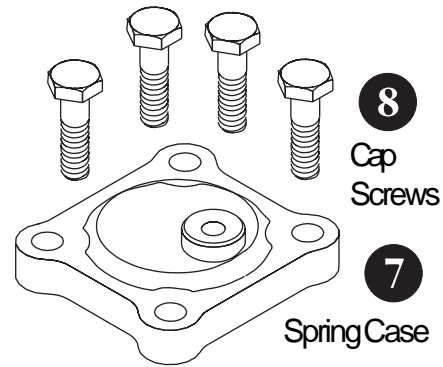
# PARTS LIST - 1" FLOWGRID 250 VALVES

Includes: 1", 1 1/4" & 1 1/2" NPT

Ductile Iron/Aluminum Construction Maximum Inlet Pressure 250 PSI

**1"**  
FLOWGRID  
250

Item	Description	Material	Part Number	Quantity
1	Body - Single Port 1" NPT End Connection (FG-24) <sup>†</sup> 1 1/4" NPT End Connection (FG-25) <sup>†</sup> 1 1/2" NPT End Connection (FG-26) <sup>†</sup>	A 395 Ductile Iron	120-002-01 120-014-01 120-015-01	1
2	Gasket**	Nitrile	120-008-01	1 or 2**
3	Restricting Plate** 75% Capacity 50% Capacity 25% Capacity	Steel (Zinc Plated)	120-009-01 120-012-01 120-013-01	
4	Throttle Plate - 100% Capacity	356 - T6 Hard Anodized Aluminum	120-004-01	1
5	Diaphragm 75 Durometer 60 Durometer Viton	Nitrile / Nylon Nitrile / Nylon Viton / Nylon	101-056-01 101-056-02 101-056-05	1
6	Main Spring Standard Low Differential	301 Stainless Steel	101-057-01 101-074-01	1
7	Spring Case	356 - T6 Alodined	120-006-01	1
8	Cap Screw (1/2UNC x 2.25 Lg)	SAE Grade 5	030-002-01	4



**Boxed items indicate recommended spare parts**

<sup>†</sup> (FG-\*) Indicates stock number for the Flowgrid Valve Assembly associated with each body

\*\*Reduced capacity: An extra gasket (item 2) and restricting plate (item 3) are required for reduced capacity trim.

Optional Reduced Capacity Trim

