

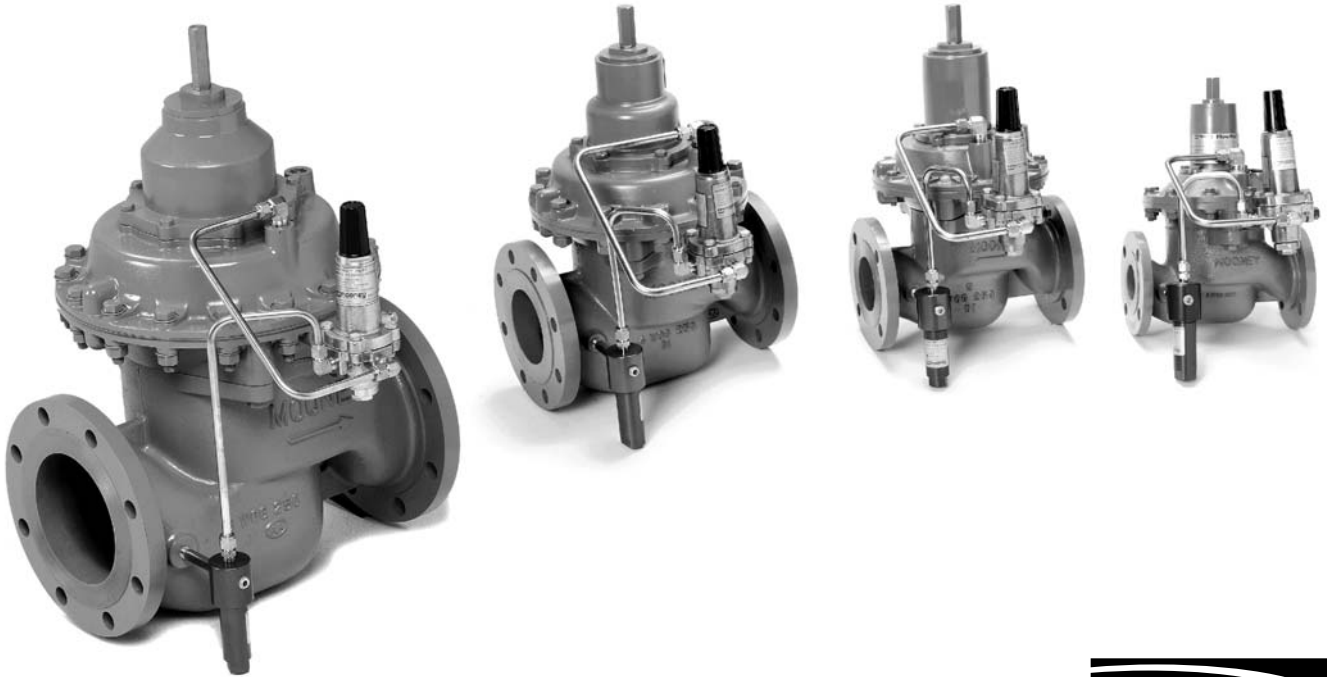


FlowMax®

# Parts List

for  
Mooney Controls Manufactured Products

FlowMax® Regulators  
Parts Kits



# Table of Contents

Stock Number Index .....	2
2" FlowMax Regulators .....	3
3" FlowMax Regulators .....	5
4" FlowMax Regulators .....	7
6" FlowMax Regulators .....	9
FlowMax Rebuild Kits .....	11

## Stock Number Index for FlowMax Regulators

<b>Stock Number</b>	<b>Page Number</b>	<b>Description</b>
FM-1	3, 4	2" CL 150 RF Flanged
FM-2	3, 4	2" NPT
FM-3	3, 4	2" CL 150 FF Flanged
FM-4	5, 6	3" CL 150 RF Flanged
FM-5	5, 6	3" CL 150 FF Flanged
FM-6	7, 8	4" CL 150 RF Flanged
FM-7	7, 8	4" CL 150 FF Flanged
FM-8	9, 10	6" CL 150 RF Flanged
FM-9	9, 10	6" CL 150 FF Flanged

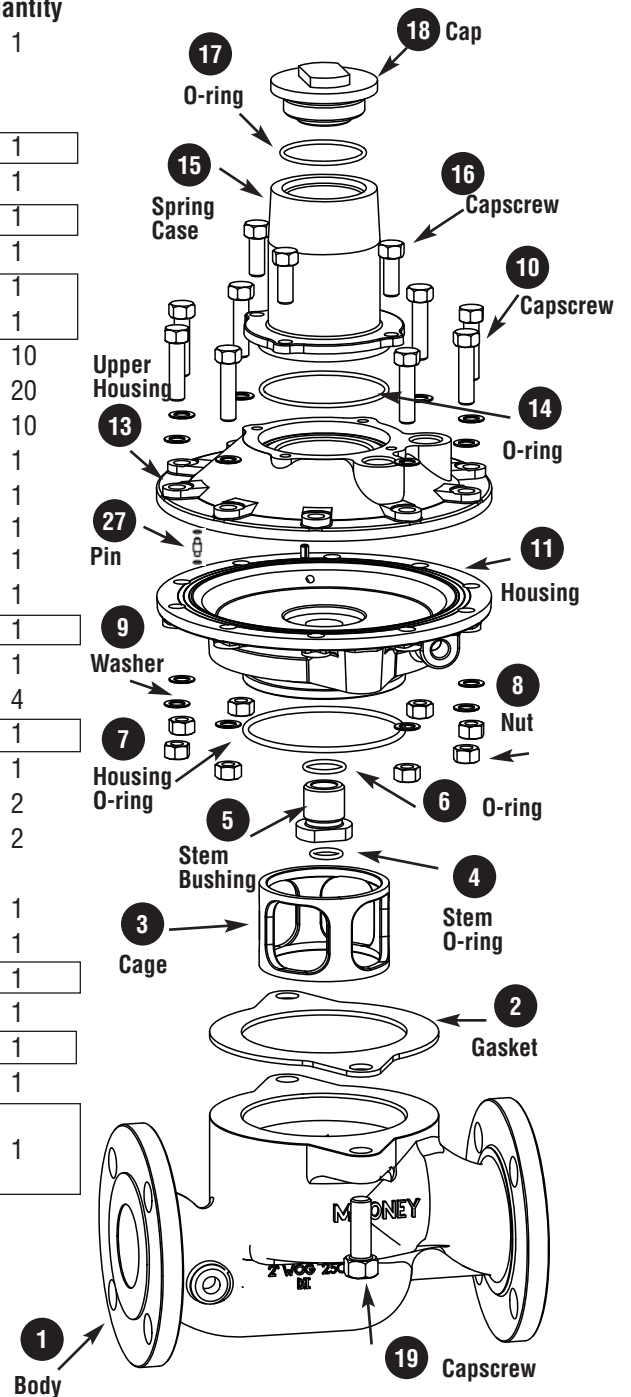
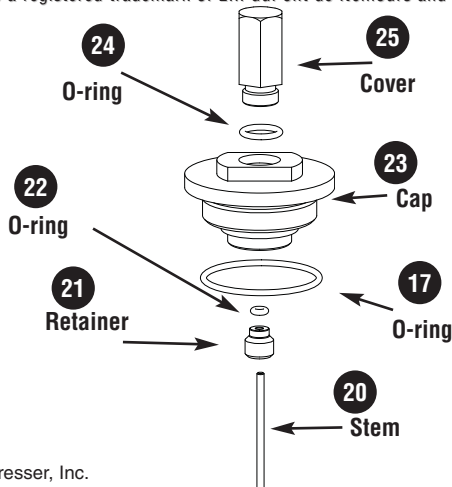
## Parts List - 2" FlowMax® Regulator

Includes: 2" NPT, 2" RF 150 CL, and 2" FF 150 CL Flanged

Item	Description	Material	Part Number	Quantity
1	2" RF Flanged Body (FM-1)	Ductile Iron	132-002-01	1
	2" NPT Body (FM-2)	Ductile Iron	132-004-01	
	2" FF Flanged Body (FM-3)	Ductile Iron	132-005-01	
2	Body Gasket	Neoprene	132-025-01	1
3	Cage	Ductile Iron	132-047-01	1
4	Stem O-ring	Nitrile	021-114-01	1
5	Stem Bushing	Delrin	132-066-01	1
6	Bushing O-ring	Nitrile	021-118-01	1
7	Housing O-ring	Nitrile	021-240-01	1
8	Housing Nut	SST	032-008-01	10
9	Housing Washer	SST	034-006-01	20
10	Housing Capscrew	SST	030-025-01	10
11	Actuator Housing - Lower	Aluminum	132-010-01	1
12	Housing Alignment Pin (.75) Std	SST	134-049-01	1
	Housing Alignment Pin (.063)	SST	134-050-01	1
	Housing Alignment Pin (.047)	SST	134-051-01	1
13	Actuator Housing - Upper	Aluminum	132-012-01	1
14	Balancing Diaphragm O-ring	Nitrile	021-151-01	1
15	Spring Case	Aluminum	132-021-01	1
16	Spring Case Capscrew	SST	030-029-01	4
17	Spring Case Cap O-ring	Nitrile	021-134-01	1
18	Spring Case Cap	Aluminum	132-043-01	1
19	Body Capscrew	SST	030-026-01	2
27	Alignment Pin O-ring	Nitrile	021-008-01	2
<b>Optional Travel Indicator Kit (132-078-01) including:</b>				
20	Indicator Stem	SST	132-083-01	1
21	Indicator Stem O-ring Retainer	Nylon	132-084-01	1
22	Indicator Stem O-ring	Nitrile	021-104-01	1
23	Spring Case Cap	Aluminum	132-080-01	1
24	Indicator Cover O-ring	Nitrile	021-112-01	1
25	Indicator Cover	Aluminum	132-081-02	1
<b>Boxed items indicate recommended spare parts</b>				
26	2" FlowMax Rebuild Kit		132-090-01	1

(includes item 2 from page 3 and items 5, 11 & 14 from page 4)

Delrin is a registered trademark of E.I. duPont de Nemours and Company



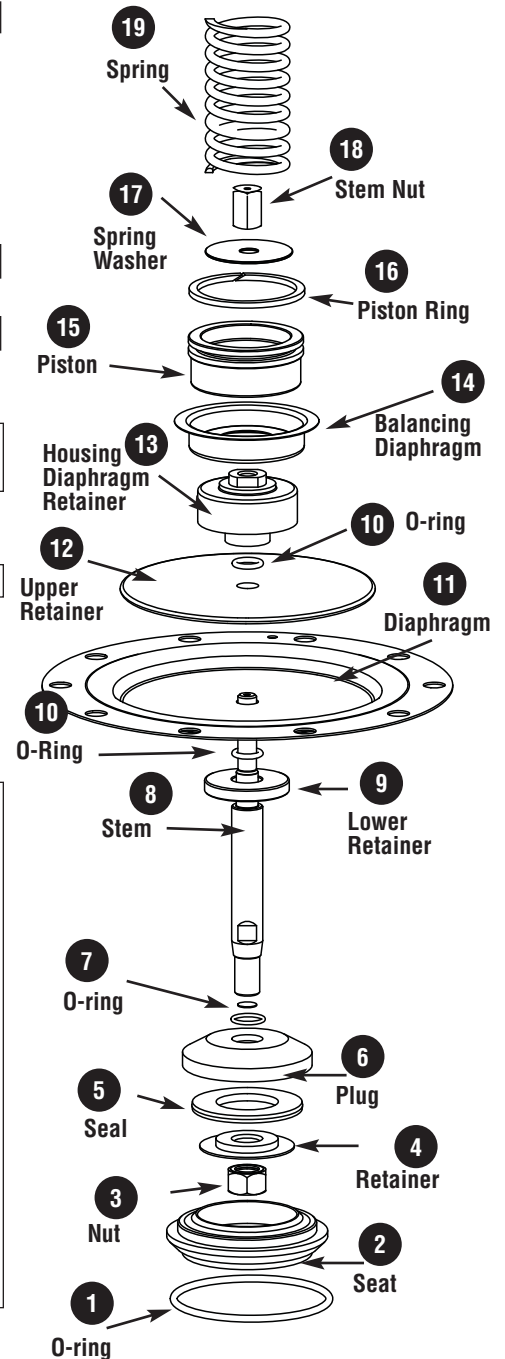
## Parts List - 2" FlowMax® Regulator

### Internal Components

Item	Description	Material	Part Number	Quantity
1	Seat O-ring	Nitrile	021-234-01	1
2	Seat	SST	132-045-01	1
3	Stem Nut	Steel/Nitrile	033-001-01	1
4	Plug Seal Retainer	Brass		1
	100% Capacity		132-055-01	
	50% Capacity		132-026-01	
	25% Capacity		132-025-01	
5	Plug Seal	Nitrile	132-070-01	1
6	Plug	Brass	132-050-01	1
7	Plug O-ring	Nitrile	021-015-01	1
8	Stem	SST	132-035-01	1
9	Diaphragm Retainer - Lower	Aluminum	132-031-01	1
10	Main Diaphragm O-ring	Nitrile	021-111-01	2
11	Main Diaphragm	Nitrile/Nylon	132-038-01	1
12	Diaphragm Retainer - Upper	Steel	132-030-01	1
13	Balancing Diaphragm Retainer	Aluminum	132-036-01	1
14	Balancing Diaphragm	Nitrile/Nylon	132-039-01	1
15	Piston	Delrin	132-033-01	1
16	Piston Ring	Nylon	132-085-01	1
17	Spring Washer	SST	034-007-01	1
18	Upper Stem Nut	Steel	132-079-01	1
19	Main Spring	Music Wire	040-025-01	1

#### Boxed items indicate recommended spare parts

20	O-ring Kit		132-075-01	1
<i>Includes:</i>				
	Stem O-ring	Nitrile	021-114-01	1
	Bushing O-ring	Nitrile	021-118-01	1
	Housing O-ring	Nitrile	021-240-01	1
	Spring Cap O-ring	Nitrile	021-134-01	1
	Seat O-ring	Nitrile	021-234-01	1
	Plug O-ring	Nitrile	021-015-01	1
	Main Diaphragm O-ring	Nitrile	021-111-01	2
	Balancing Diaphragm O-ring	Nitrile	021-151-01	1
	Indicator Stem O-ring	Nitrile	021-104-01	1
	Indicator Cover O-ring	Nitrile	021-112-01	1
	O-ring Lubricant (2 gram)	Silicon	025-006-01	1



## Parts List - 3" FlowMax® Regulator

Includes: 3" RF 150 CL, and 3" FF 150 CL Flanged

Item	Description	Material	Part Number	Quantity
1	3" RF Flanged Body (FM-4) 3" FF Flanged Body (FM-3)	Ductile Iron	133-002-01 133-004-01	1
2	Body Gasket	Neoprene	133-025-01	1
3	Cage	Ductile Iron	133-014-01	1
4	Stem O-ring	Nitrile	021-211-01	1
5	Stem Bushing	Delrin	134-017-01	1
6	Bushing O-ring	Nitrile	021-122-01	1
7	Housing O-ring	Nitrile	021-246-01	1
8	Housing Nut	SST	032-010-01	12
9	Housing Washer	SST	034-010-01	24
10	Housing Capscrew	SST	030-035-01	12
11	Actuator Housing - Lower	Aluminum	133-010-01	1
12	Housing Alignment Pin (.75) Std Housing Alignment Pin (.063) Housing Alignment Pin (.047)	SST SST SST	034-049-01 034-050-01 034-051-01	1 1 1
13	Actuator Housing - Upper	Aluminum	133-012-01	1
14	Balancing Diaphragm O-ring	Nitrile	021-240-01	1
15	Spring Case	Aluminum	133-021-01	1
16	Spring Case Capscrew	SST	030-033-01	4
17	Spring Case Cap O-ring	Nitrile	021-141-01	1
18	Spring Case Cap	Aluminum	134-023-01	1
19	Body Capscrew	SST	030-026-01	4
20	Alignment Pin O-ring	Nitrile	021-008-01	2

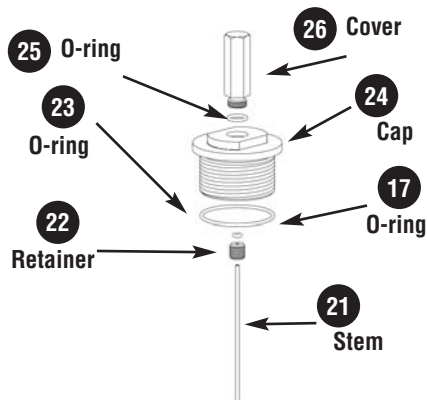
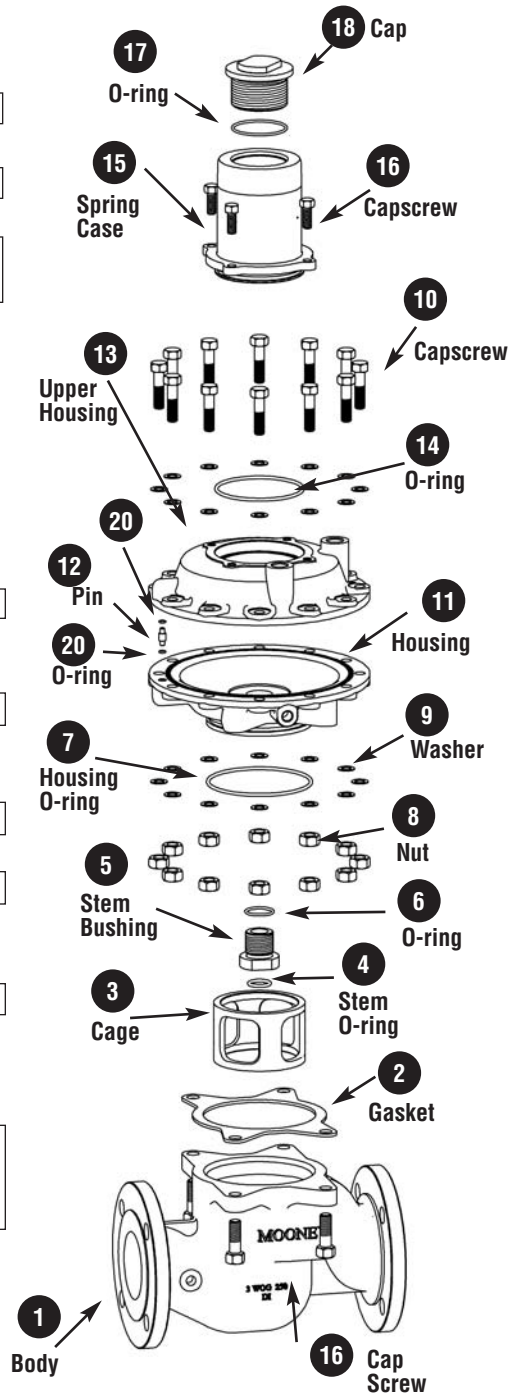
### Optional Travel Indicator Kit (133-047-01) including:

17	Spring Case Cap O-ring	Nitrile	021-141-01	1
21	Indicator Stem	SST	133-046-01	1
22	Indicator Stem O-ring Retainer	Steel	132-084-01	1
23	Indicator Stem O-ring	Nitrile	021-104-01	1
24	Spring Case Cap	Aluminum	134-024-01	1
25	Indicator Cover O-ring	Nitrile	021-112-01	1
26	Indicator Cover	Aluminum	134-045-01	1

### Boxed items indicate recommended spare parts

27	3" FlowMax Rebuild Kit (includes item 2 from page 5 and items 5, 11, 14 and 22 from page 4)		133-090-01	1
----	--	--	------------	---

Delrin is a registered trademark of E.I. duPont de Nemours and Company



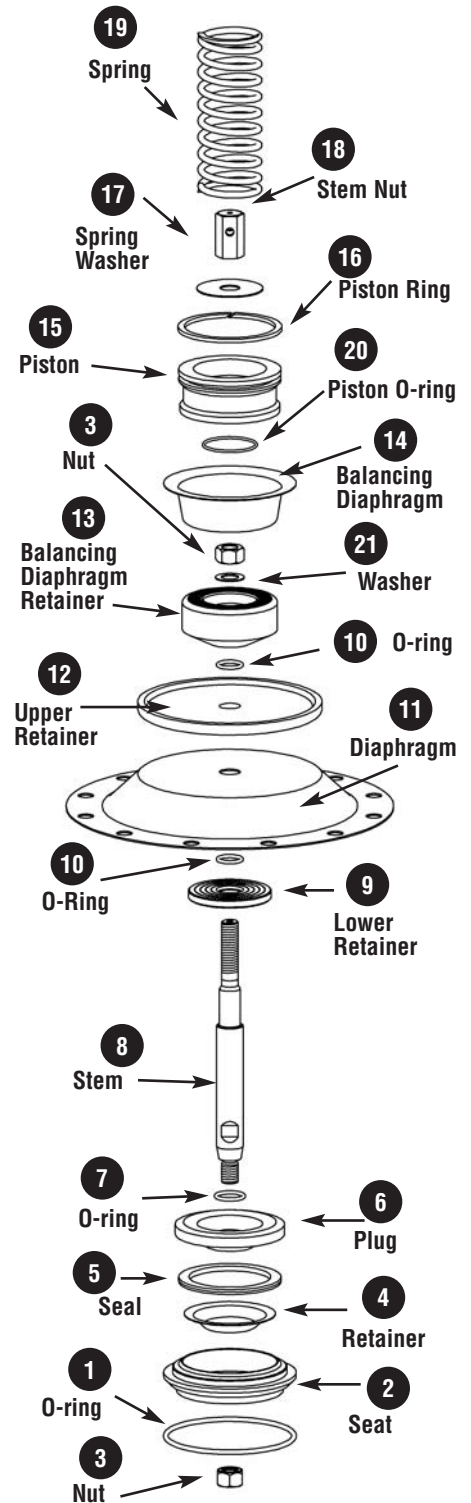
## Parts List - 3" FlowMax® Regulator

### Internal Components

Item	Description	Material	Part Number	Quantity
1	Seat O-ring	Nitrile	021-240-01	1
2	Seat	SST	133-005-01	1
3	Stem Nut	Steel/Nitrile	033-001-01	2
4	Plug Seal Retainer	Brass		1
	100% Capacity		133-043-01	
	50% Capacity		133-061-01	
5	Plug Seal	Nitrile	132-042-01	1
6	Plug	Brass	133-041-01	1
7	Plug O-ring	Nitrile	021-116-01	1
8	Stem	SST	133-016-01	1
9	Diaphragm Retainer - Lower	Aluminum	134-031-01	1
10	Main Diaphragm O-ring	Nitrile	021-114-01	2
11	Main Diaphragm	Nitrile/Nylon	133-038-01	1
12	Diaphragm Retainer - Upper	Aluminum	133-030-01	1
13	Balancing Diaphragm Retainer	Aluminum	133-027-01	1
14	Balancing Diaphragm	Nitrile/Nylon	133-039-01	1
15	Piston	Delrin	133-033-01	1
16	Piston Ring	Nylon	133-034-01	1
17	Spring Washer	SST	034-008-01	1
18	Upper Stem Nut	Steel	134-018-01	1
19	Main Spring	Music Wire	040-026-01	1
20	Piston O-ring	Nylon	021-029-01	1
21	Washer	SST	034-009-01	1

#### Boxed items indicate recommended spare parts

22	3" FlowMax O-ring Kit		133-055-01	1
<i>Includes:</i>				
	Stem O-ring	Nitrile	021-211-01	1
	Bushing O-ring	Nitrile	021-122-01	1
	Housing O-ring	Nitrile	021-246-01	1
	Spring Case Cap O-ring	Nitrile	021-141-01	1
	Seat O-ring	Nitrile	021-240-01	1
	Plug O-ring	Nitrile	021-116-01	1
	Main Diaphragm O-ring	Nitrile	021-114-01	2
	Indicator Stem O-ring	Nitrile	021-104-01	1
	Indicator Cover O-ring	Nitrile	021-112-01	1
	Piston O-ring	Nitrile	021-029-01	1
	Alignment Pin O-ring	Nitrile	021-008-01	2
	Balancing Diaphragm O-ring	Nitrile	021-240-01	1
	O-ring Lubricant (2 gram)	Silicon	025-006-001	1



## Parts List - 4" FlowMax® Regulator

Includes: 4" RF 150 CL, and 4" FF 150 CL Flanged

Item	Description	Material	Part Number	Quantity
1	4" RF Flanged Body (FM-4)	Ductile Iron	134-002-01	1
	4" FF Flanged Body (FM-3)	Ductile Iron	134-004-01	
2	Body Gasket	Neoprene	134-025-01	1
3	Cage	Ductile Iron	134-014-01	1
4	Stem O-ring	Nitrile	021-211-01	1
5	Stem Bushing	Delrin	134-017-01	1
6	Bushing O-ring	Nitrile	021-122-01	1
7	Housing O-ring	Nitrile	021-256-01	1
8	Housing Nut	SST	032-007-02	12
9	Housing Washer	SST	034-009-01	24
10	Housing Capscrew	SST	030-032-01	12
11	Actuator Housing - Lower	Aluminum	134-010-01	1
12	Housing Alignment Pin (.75) Std	SST	034-049-01	1
	Housing Alignment Pin (.063)	SST	034-050-01	1
	Housing Alignment Pin (.047)	SST	034-051-01	1
13	Actuator Housing - Upper	Aluminum	133-012-01	1
14	Balancing Diaphragm O-ring	Nitrile	021-249-01	1
15	Spring Case	Aluminum	134-021-01	1
16	Spring Case Capscrew	SST	030-033-01	6
17	Spring Case Cap O-ring	Nitrile	021-141-01	1
18	Spring Case Cap	Aluminum	134-023-01	1
19	Body Capscrew	SST	030-026-01	4
20	Alignment Pin O-ring	Nitrile	021-008-01	2

### Optional Travel Indicator Kit (134-047-01) including:

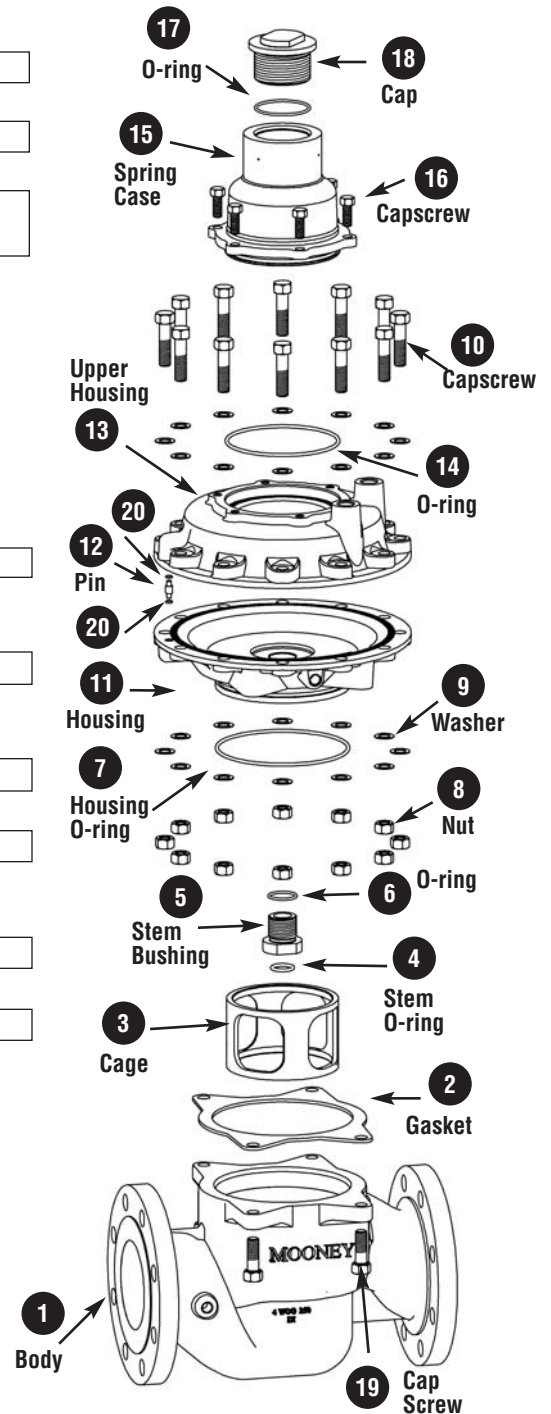
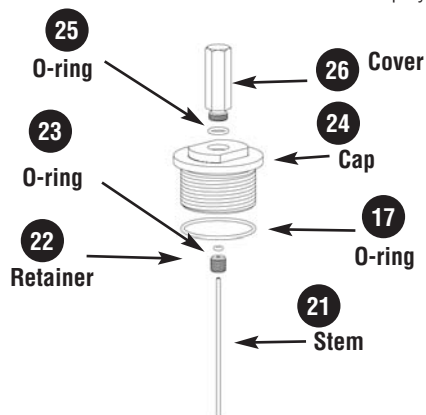
17	Spring Case Cap O-ring	Nitrile	021-141-01	1
21	Indicator Stem	SST	134-046-01	1
22	Indicator Stem O-ring Retainer	Nylon	132-084-01	1
23	Indicator Stem O-ring	Nitrile	021-104-01	1
24	Spring Case Cap	Aluminum	134-024-01	1
25	Indicator Cover O-ring	Nitrile	021-112-01	1
26	Indicator Cover	Aluminum	134-045-01	1

### Boxed items indicate recommended spare parts

27	3" FlowMax Rebuild Kit		134-090-01	1
----	------------------------	--	------------	---

(includes item 2 from page 2 and items 5, 11 & 14 from page 4)

Delrin is a registered trademark of E.I. duPont de Nemours and Company.



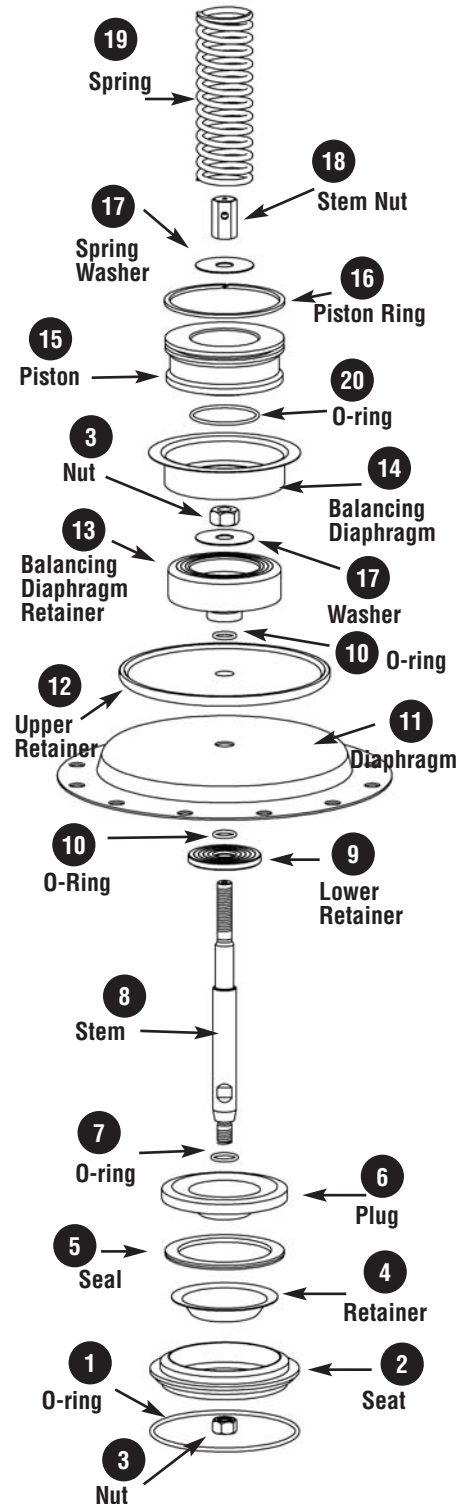
## Parts List - 4" FlowMax® Regulator

### Internal Components

Item	Description	Material	Part Number	Quantity
1	Seat O-ring	Nitrile	021-249-01	1
2	Seat	SST	134-005-01	1
3	Stem Nut	Steel/Nitrile	033-001-01	2
4	Plug Seal Retainer			1
	100% Capacity	SST	134-043-01	
	50% Capacity	Brass	134-061-01	
5	Plug Seal	Nitrile	134-042-01	1
6	Plug	Brass	134-041-02	1
7	Plug O-ring	Nitrile	021-116-01	1
8	Stem	SST	134-016-01	1
9	Diaphragm Retainer - Lower	Aluminum	134-031-01	1
10	Main Diaphragm O-ring	Nitrile	021-114-01	2
11	Main Diaphragm	Nitrile/Nylon	134-038-01	1
12	Diaphragm Retainer - Upper	Aluminum	134-030-02	1
13	Balancing Diaphragm Retainer	Aluminum	134-027-01	1
14	Balancing Diaphragm	Nitrile/Nylon	134-039-01	1
15	Piston	Delrin	134-033-01	1
16	Piston Ring	Nylon	134-034-01	1
17	Spring Washer	SST	034-008-01	1
18	Upper Stem Nut	Steel	134-018-01	1
19	Main Spring	Music Wire	040-027-01	1
20	Piston O-ring	Nitrile	021-039-01	1
21	Washer	SST	034-009-01	1

#### Boxed items indicate recommended spare parts

22	4" FlowMax O-ring Kit		134-055-01	1
<i>Includes:</i>				
	Stem O-ring	Nitrile	021-211-01	1
	Bushing O-ring	Nitrile	021-122-01	1
	Housing O-ring	Nitrile	021-256-01	1
	Spring Case Cap O-ring	Nitrile	021-141-01	1
	Seat O-ring	Nitrile	021-249-01	1
	Plug O-ring	Nitrile	021-116-01	1
	Main Diaphragm O-ring	Nitrile	021-114-01	2
	Indicator Stem O-ring	Nitrile	021-104-01	1
	Indicator Cover O-ring	Nitrile	021-112-01	1
	Piston O-ring	Nitrile	021-139-01	1
	Alignment Pin O-ring	Nitrile	021-008-01	2
	Balancing Diaphragm O-ring	Nitrile	021-249-01	1
	O-ring Lubricant (2 gram)	Silicon	025-006-01	1



Delrin is a registered trademark of E.I. duPont de Nemours and Company.



## Parts List - 6" FlowMax® Regulator

Includes: 6" RF 150 CL, and 6" FF 150 CL Flanged

Item	Description	Material	Part Number	Quantity
1	6" RF Flanged Body (FM-8)	Ductile Iron	136-002-01	1
	6" FF Flanged Body (FM-9)	Ductile Iron	136-004-01	
2	Body O-ring	Nitrile	021-367-01	1
3	Cage	Ductile Iron	136-014-01	1
4	Stem O-ring	Nitrile	021-214-01	1
5	Stem Bushing	Delrin	136-017-01	1
6	Bushing O-ring	Nitrile	021-124-01	1
7	Housing Nut	SST	032-009-02	16
8	Housing Washer	SST	034-013-01	32
9	Housing Capscrew	SST	030-038-01	16
10	Actuator Housing - Lower	Aluminum	136-010-01	1
11	Housing Alignment Pin (.75) Std	SST	034-049-01	1
	Housing Alignment Pin (.063)	SST	034-050-01	1
	Housing Alignment Pin (.047)	SST	034-051-01	1
12	Actuator Housing - Upper	Aluminum	136-012-01	1
13	Balancing Diaphragm O-ring	Nitrile	021-260-01	1
14	Spring Case	Aluminum	136-021-01	1
15	Spring Case Capscrew	SST	030-039-01	8
16	Spring Case Cap O-ring	Nitrile	021-232-01	1
17	Spring Case Cap	Aluminum	136-023-01	1
18	Body Capscrew	SST	030-019-01	4
19	Alignment Pin O-ring	Nitrile	021-008-01	2

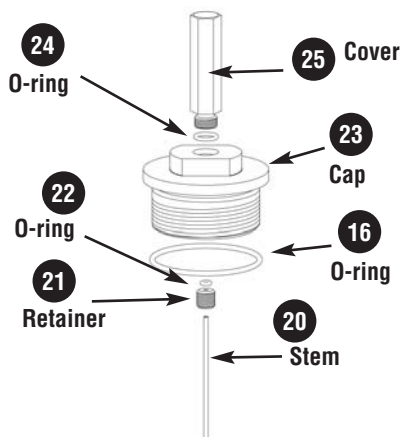
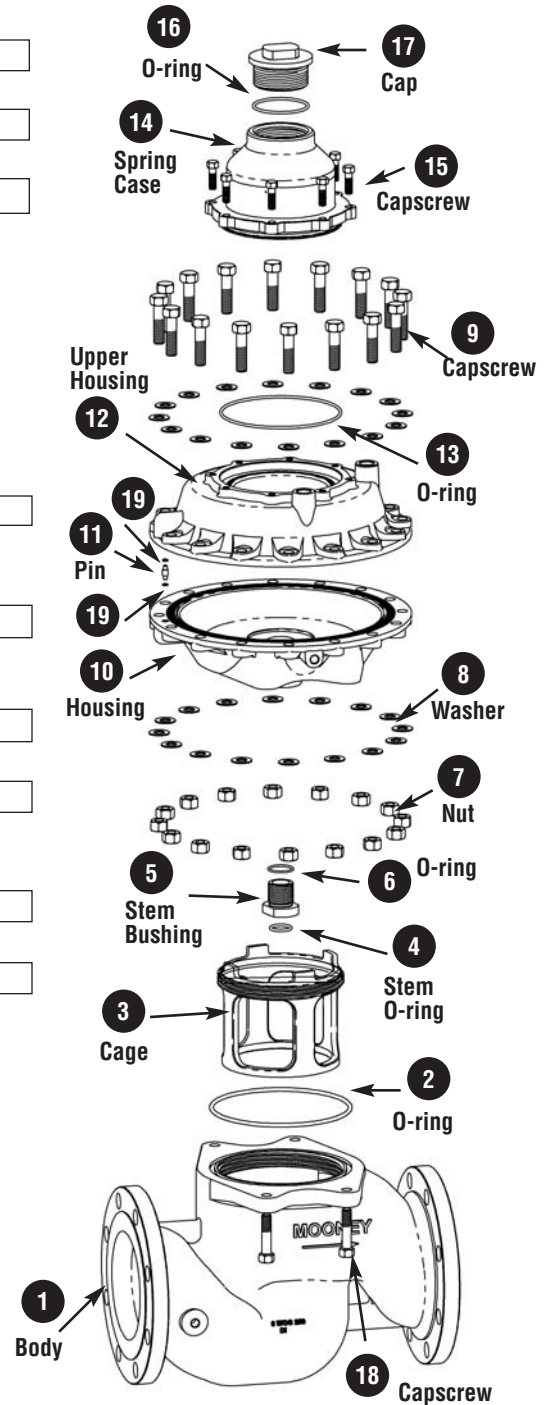
### Optional Travel Indicator Kit (136-047-01) including:

16	Spring Case Cap O-ring	Nitrile	021-232-01	1
20	Indicator Stem	SST	136-046-01	1
21	Indicator Stem O-ring Retainer	Nylon	132-084-01	1
22	Indicator Stem O-ring	Nitrile	021-104-01	1
23	Spring Case Cap	Aluminum	136-024-01	1
24	Indicator Cover O-ring	Nitrile	021-112-01	1
25	Indicator Cover	Aluminum	136-045-01	1

### Boxed items indicate recommended spare parts

27 6" FlowMax Rebuild Kit 136-090-01 1  
(includes items 1, 5, 7, 9, 10, 13 and 19 from page 10)

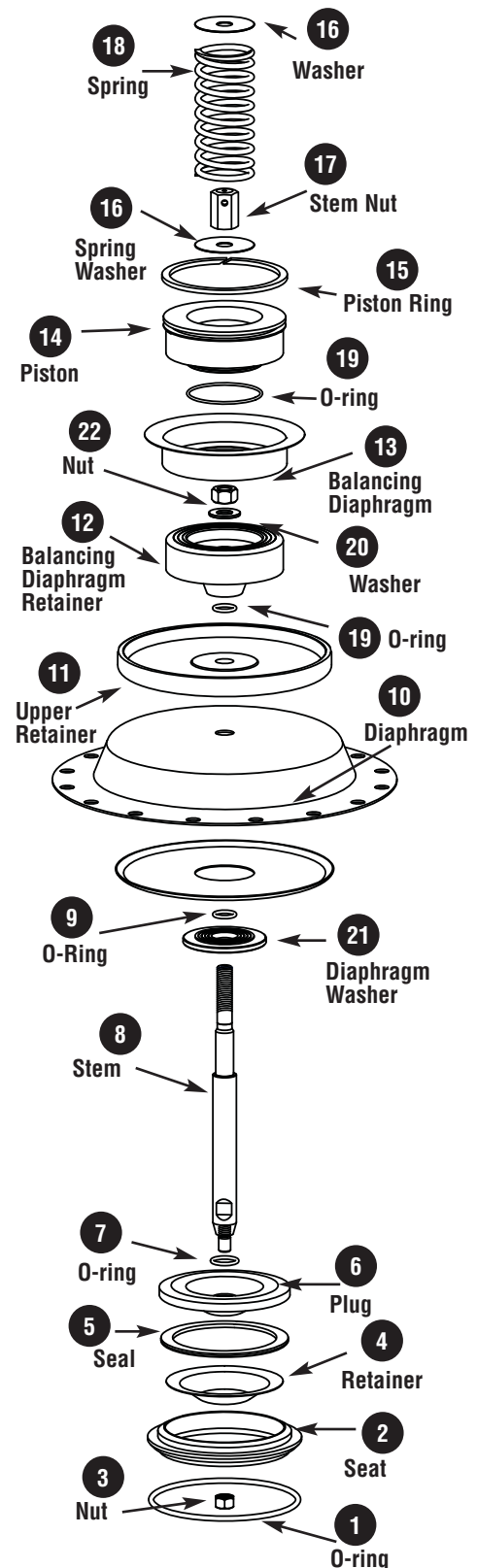
Delrin is a registered trademark of E.I. duPont de Nemours and Company.



## Parts List - 6" FlowMax® Regulator

### Internal Components

Item	Description	Material	Part Number	Quantity
1	Seat O-ring	Nitrile	021-259-01	1
2	Seat	SST	136-005-01	1
3	Stem Nut	Steel/Nitrile	033-001-01	2
4	Plug Seal Retainer	Brass		1
	100% Capacity		136-043-01	
	50% Capacity		136-061-01	
5	Plug Seal	Nitrile	136-042-01	1
6	Plug	Brass	136-041-01	1
7	Plug O-ring	Nitrile	021-212-01	1
8	Stem	SST	136-016-01	1
9	Main Diaphragm O-ring	Nitrile	021-114-01	2
10	Main Diaphragm	Nitrile/Nylon	036-038-01	1
11	Diaphragm Retainer - Upper	Aluminum	136-030-01	1
12	Balancing Diaphragm Retainer	Aluminum	136-027-01	1
13	Balancing Diaphragm	Nitrile/Nylon	136-039-01	1
14	Piston	Delrin	136-033-01	1
15	Piston Ring	Nylon	136-034-01	1
16	Spring Washer	SST	034-011-01	2
17	Upper Stem Nut	Steel	136-018-01	1
18	Main Spring	Music Wire	040-028-01	1
19	Balancing Diaphragm O-ring	Nitrile	021-151-01	1
20	Balancing Diaphragm Washer	Steel	034-012-01	1
21	Main Diaphragm Washer	SST	136-031-01	1
22	Main Diaphragm Retaining Nut	SST	032-003-02	1



#### Boxed items indicate recommended spare parts

23	6" FlowMax O-ring Kit		136-055-01	1
<i>Includes:</i>				
	Stem O-ring	Nitrile	021-214-01	1
	Bushing O-ring	Nitrile	021-124-01	1
	Spring Case Cap O-ring	Nitrile	021-232-01	1
	Seat O-ring	Nitrile	021-259-01	1
	Plug O-ring	Nitrile	021-212-01	1
	Main Diaphragm O-ring	Nitrile	021-210-01	2
	Indicator Stem O-ring	Nitrile	021-104-01	1
	Indicator Cover O-ring	Nitrile	021-112-01	1
	Balancing Diaphragm O-ring	Nitrile	021-260-01	1
	Alignment Pin O-ring	Nitrile	021-008-01	2
	Piston O-ring	Nitrile	021-151-01	1
	Body O-ring	Nitrile	021-367-01	1
	O-ring Lubricant (2 gram)	Silicon	025-006-01	1

Delrin is a registered trademark of E.I. duPont de Nemours and Company.

## Parts List - Regulator Rebuild Kits

Kit Designation	Description	Material	Part Number	Quantity
<b>FlowMax Rebuild Kits</b>				
<b>2" FlowMax Rebuild Kit</b>	<b>Includes:</b>		<b>132-090-01</b>	<b>1</b>
	Plug Seal	Nitrile	132-070-01	1
	Main Diaphragm	Nitrile/Nylon	132-038-01	1
	Balancing Diaphragm	Nitrile/Nylon	132-039-01	1
	Piston Ring	Nylon	132-085-01	1
	O-ring Kit (refer to IOM pg 21)	Nitrile	132-075-01	1
	Body Gasket	Neoprene	132-025-01	1
<b>3" FlowMax Rebuild Kit</b>	<b>Includes:</b>		<b>133-090-01</b>	<b>1</b>
	Plug Seal	Nitrile	133-042-01	1
	Main Diaphragm	Nitrile/Nylon	133-038-01	1
	Balancing Diaphragm	Nitrile/Nylon	133-039-01	1
	Piston Ring	Nylon	133-034-01	1
	O-ring Kit (refer to IOM pg 23)	Nitrile	133-055-01	1
	Body Gasket	Neoprene	133-025-01	1
<b>4" FlowMax Rebuild Kit</b>	<b>Includes:</b>		<b>134-090-01</b>	<b>1</b>
	Plug Seal	Nitrile	134-042-01	1
	Main Diaphragm	Nitrile/Nylon	134-038-01	1
	Balancing Diaphragm	Nitrile/Nylon	134-039-01	1
	Piston Ring	Nylon	134-034-01	1
	O-ring Kit (refer to IOM pg 25)	Nitrile	134-055-01	1
	Body Gasket	Neoprene	134-025-01	1
<b>6" FlowMax Rebuild Kit</b>	<b>Includes:</b>		<b>136-090-01</b>	<b>1</b>
	Plug Seal	Nitrile	136-042-01	1
	Main Diaphragm	Nitrile/Nylon	136-038-01	1
	Balancing Diaphragm	Nitrile/Nylon	136-039-01	1
	Piston Ring	Nylon	136-034-01	1
	O-ring Kit (refer to IOM pg 27)	Nitrile	136-055-01	1



**Dresser Pressure Regulation Group**

2822 S. 1030 W.  
Salt Lake City, Utah 84119

Phone: 801.487.2225 Fax: 801.487.2587  
[www.mooneycontrols.com](http://www.mooneycontrols.com)

**Dresser, Inc.**