

## Parts List - Type 24 Restrictor

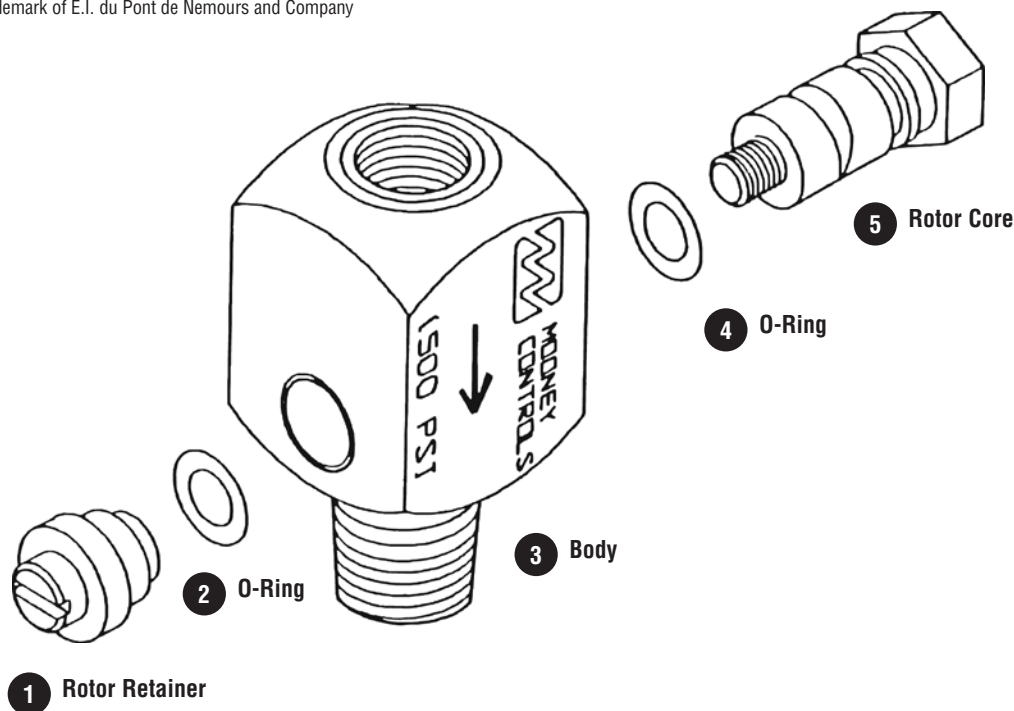
Includes: Type 24 (Steel) & 24S (Stainless Steel) Restrictor

Item	Description	Material	Part Number	Quantity
1	Rotor Retainer	301 Stainless Steel	240-006-01	1
2	O-Ring	Nitrile	021-011-01	2
		Viton®	021-011-02	
3	Restrictor Body	Steel (Type 24)†	Carbon Steel (AISI 1215)	240-002-01
		Stainless Steel (Type 24S)†	Stainless Steel	240-002-02
4	Rotor Core	Standard	301 Stainless Steel	240-007-01
		Large Capacity	301 Stainless Steel	240-008-01

Type 24 O-Ring Repair Kit includes two (2) O-rings (Nitrile Kit- p/n 240-004-01, Viton® Kit- p/n 240-004-02)

†(Type \*) indicates stock number for the Restrictor Assembly associated with each body

®Viton is a register trademark of E.I. du Pont de Nemours and Company



### Mooney Dresser, Inc.

2822 S. 1030 W.  
Salt Lake City, Utah 84119  
Phone: 801.487.2225 Fax: 801.487.2587  
www.mooneycontrols.com

