



Parts List - Series 20 Pilot – Brass

Item Description	Material	Part Number	Quantity
1 Body Insert Assembly	See Page 2	201-012-05	1
2 Body Brass	201-002-01	1	1
3 Diaphragm Retainer	Stainless Steel	201-010-01	1
4 Diaphragm			1
Nitrile/Nylon (Std)	Nitrile/Nylon	201-009-01	
Viton®/Nylon	Viton®/Nylon	201-009-02	
5 Diaphragm Plate	Stainless Steel	201-011-04	1
6 Nut, Hex (5/16-18 UNC)	Stainless Steel	032-001-01	1
7 Spring Housing	Brass	201-005-01	1
8 Nameplate	Aluminum	201-021-02	1
9 Tag, Spring Range	Aluminum	201-026-01	1
10 Screw, Hex Head (5/16-18 UNC X 1 1/4" Gr 8)	Steel Plated	030-001-01	4
11 Spring, Main			1
Red 3-12 PSI	Steel	040-014-01	
Plated 10-40 PSI	Steel	040-011-01	
Blue 25-90 PSI	Steel	040-012-01	
Purple 60-200 PSI	Steel	040-008-01	
Black 100-260 PSI	Steel	040-009-01	
White w/ Green Stripe	200-450 PSI	Steel	040-020-01
12 Spring Follower	Stainless Steel	201-020-01	1
13 O-Ring, Closing Cap*			1
Nitrile (Std)	Nitrile	021-124-01	
Viton®	Viton®	021-124-02	
14 Closing Cap	Brass	201-022-01	1
15 Nut, Self Sealing (1/2-20 UNC)	Steel/Nitrile	033-001-01	1
16 Spacer, Adjusting Screw†	Steel Plated	201-007-01	1
17 Adjusting Screw	Steel Plated	201-025-01	1
18 Cap			1
Plastic (Std.)	ABS Plastic	501-050-01	
Aluminum	Aluminum	201-023-02	
19 Type 22 Bug Vent	Polyethylene	201-072-01	1

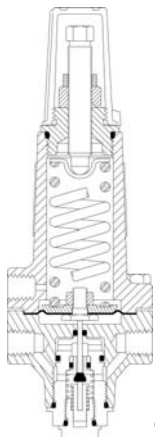
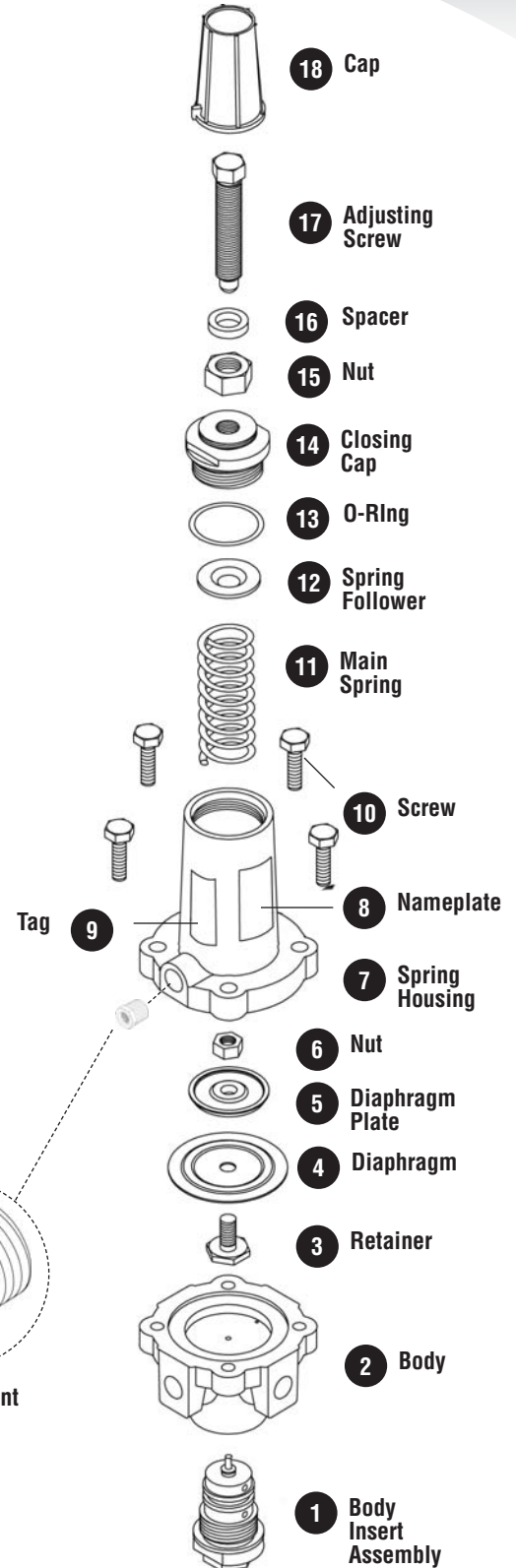
Boxed items indicate recommended spare parts

20 Series 20 Pilot Repair Kit (Nitrile) - 201-120-01 1

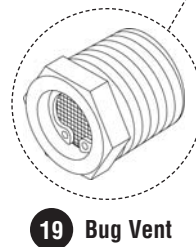
21 Series 20 Pilot Repair Kit (Viton) - 201-120-02 1

(Kits includes item 4 from page 31 and items 7 & 15 from page 32)

*All O-Rings are included in the Series 20 Pilot O-Ring Seal Kit (Nitrile O-ring Kit p/n 201-008-01, Viton® O-ring Kit p/n 201-008-02)



Sectional View



Parts List - Brass Body Insert Assembly

Item	Description	Material	Part Number	Quantity
1	Pilot Function Sticker PRV (Pressure Reducing Valve) BPV (Relief Valve)	Aluminum Aluminum	201-033-01 201-033-02	1
2	Bottom Cap	Brass	201-014-01	1
3	Bottom Cap O-Ring*			1
	Nitrile (Std)	Nitrile	021-112-01	
	Viton®	Viton®	021-112-02	
4	Orifice Spring	Stainless Steel	040-005-01	1
5	Return Spring	Stainless Steel	040-006-01	1
6	Stem Guide	Delrin®	201-063-01	1
7	Plug & Stem Assembly			1
	Stainless Steel/Nitrile (Std)	Stainless Steel/Nitrile	201-015-01	
	Stainless Steel/Viton®	Stainless Steel/Viton®	210-015-02	
8	Orifice			1
	.150 Orifice (Std)	Stainless Steel	201-019-01	
8a	.170 Orifice	Stainless Steel	201-045-01	
9	Orifice O-Ring*			1
	Nitrile (Std)	Nitrile	021-108-01	
	Viton®	Viton®	021-108-02	
10	Backup Washer	Stainless Steel	201-024-01	1
11	Body Insert	Brass	201-013-01	1
12	Body Insert O-Ring (Lower)*			1
	Nitrile (Std)	Nitrile	021-120-01	
	Viton®	Viton®	021-120-02	
13	Body Insert O-Ring (Upper)*			1
	Nitrile (Std)	Nitrile	021-117-02	
	Viton®	Viton®	021-117-01	
14	Stem O-Ring*			1
	Nitrile (Std)	Nitrile	021-103-01	
	Viton®	Viton®	021-103-02	
Optional Orifice Assembly				
<i>Recommended For Back Pressure (Relief) Applications Over 450 PSIG Setpoints</i>				
7	Plug & Stem Assembly	Stainless Steel	201-016-02	1
8	Orifice	Delrin®	201-028-01	1
9	Orifice O-Ring*			1
	Nitrile (Std)	Nitrile	021-011-01	
	Viton®	Viton®	021-011-02	
10	Backup Washer (Delrin Orifice)	Stainless Steel	201-029-01	1
Boxed items indicate recommended spare parts				
15	O-Ring Kit (includes all necessary o-rings)			1
	Nitrile (Std)	Nitrile	201-008-01	
	Viton®	Viton®	201-008-02	

Viton and Delrin are registered trademarks of E.I. du Pont de Nemours and Company.

