

5000 SERIES

Manifold Valves



The NOSHOK 5000 Series Hard Seat and Soft Seat 5 Valve Manifolds are designed for use with differential pressure transmitters incorporating two isolation valves, two equalizing valves and a vent valve in natural gas applications. The NOSHOK 5000 Series 5 Valve Manifolds are also available in either a block, single flange or double flange connection for remote or direct installation.

All manifold bodies are machined from cold drawn* extrusions allowing NOSHOK to hold tighter tolerances and greater mechanical strength than any other manifold valve in the industry. Stem and bonnet threads are rolled for greater strength and ease of operation. The valve stems are equipped with both a Viton o-ring and Teflon back-up ring below the threads to protect from corrosion and galling. Each and every manifold valve is 100% Helium leak tested to 1×10^{-4} ml/s at 200 psi for a bubble tight seal.

*Uniform shape, smooth clean surface finish, straightness

5000 SERIES MANIFOLD VALVE STANDARD FEATURES

- One piece bonnet with a metal to metal seal to the valve body below the bonnet threads
- Bonnet lock pins to prevent accidental loosening
- Color coded Vinyl bonnet and stem dust caps
- 0.187 inch orifice size
- Electroless Nickel plated finish on carbon steel manifold valves
- Electropolish finish on stainless steel manifold valves
- Electroless Nickel plated high tensile strength 4140 steel mounting bolts
- Two static (test) ports

HARD SEAT MANIFOLD VALVE FEATURES

- Helium leak tested metal to metal hard seat design
- 10000 psi pressure rating @ 200 degrees Fahrenheit maximum
- Flow coefficient factor of 0.44

SOFT SEAT MANIFOLD VALVE FEATURES

- Helium leak tested soft seat design with replaceable Delrin seat
- 6000 psi pressure rating @ 200 degrees Fahrenheit maximum
- Straight through porting for bi-directional flow and easy roddable cleaning
- Patent pending soft tip stem design on equalizing and vent valves
- Flow coefficient factor of 0.76

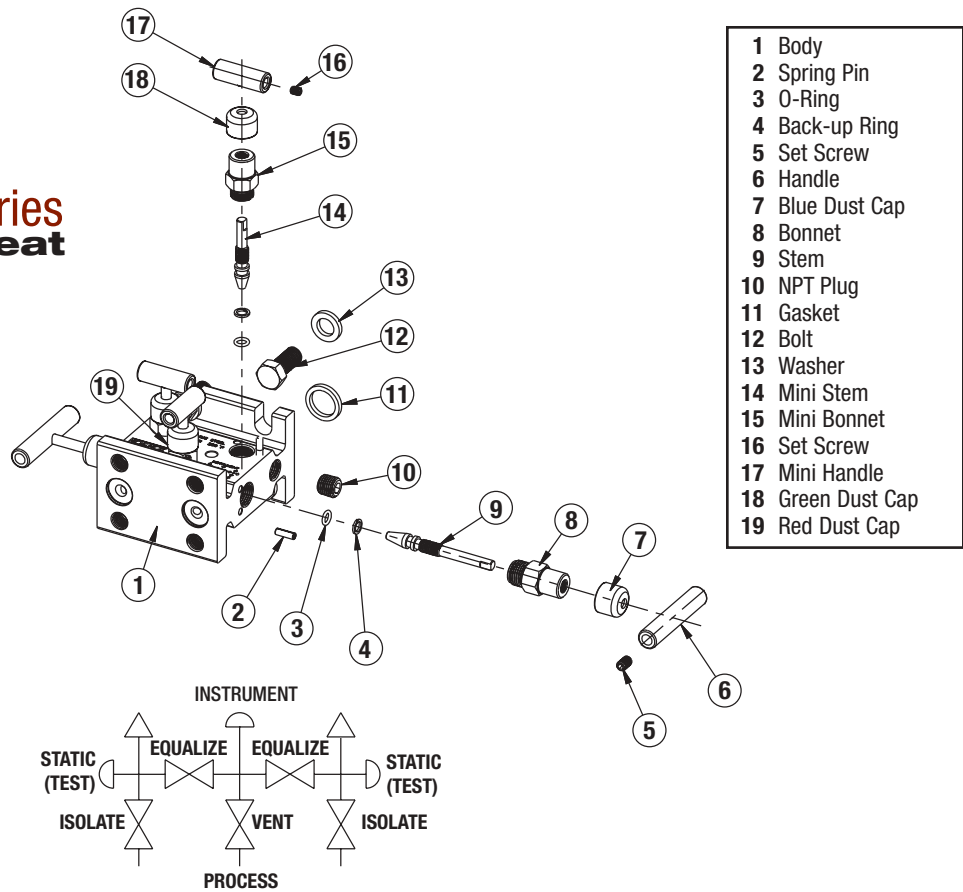
Ordering Information

PART NUMBER	CONNECTION	MATERIAL
5030-FFC	1/2" NPT - 1/2" NPT	Steel
5030-FFS	1/2" NPT - 1/2" NPT	Stainless Steel
5030-MFC	Flange - 1/2" NPT	Steel
5030-MFS	Flange - 1/2" NPT	Stainless Steel
5030-MMC	Flange - Flange	Steel
5030-MMS	Flange - Flange	Stainless Steel

PART NUMBER	CONNECTION	MATERIAL
5130-FFC	1/2" NPT - 1/2" NPT	Steel
5130-FFS	1/2" NPT - 1/2" NPT	Stainless Steel
5130-MFC	Flange - 1/2" NPT	Steel
5130-MFS	Flange - 1/2" NPT	Stainless Steel
5130-MMC	Flange - Flange	Steel
5130-MMS	Flange - Flange	Stainless Steel

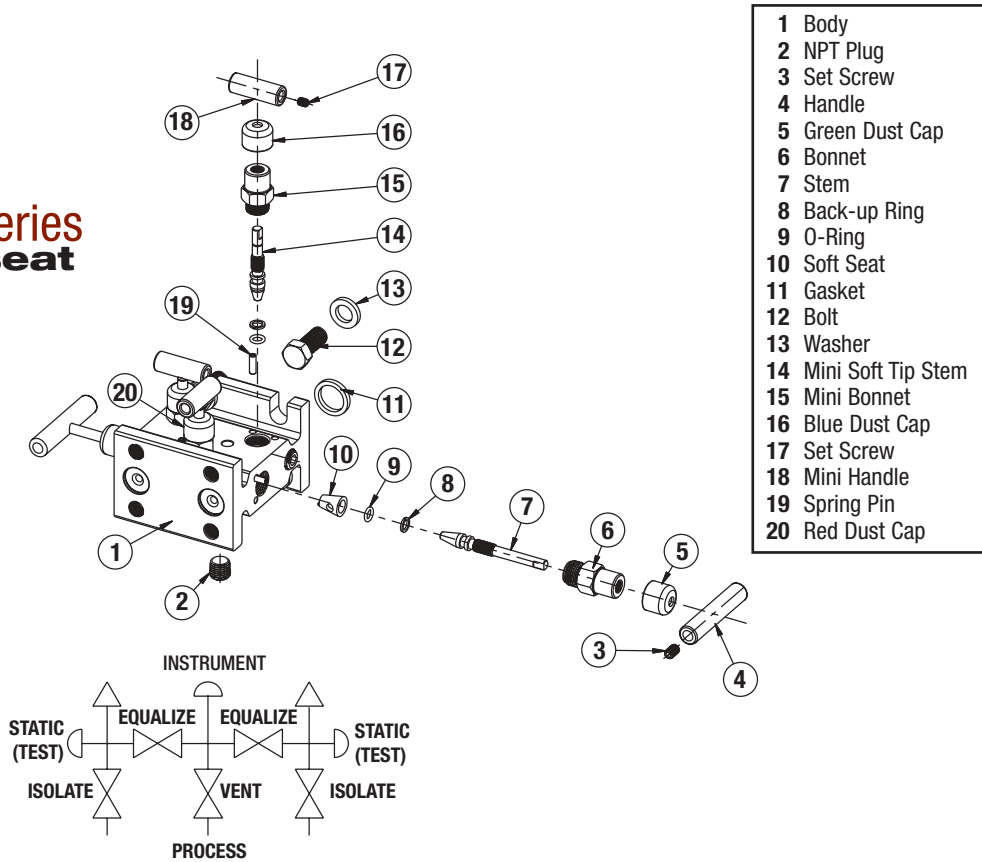
Viton® is a registered trademark of DuPont Dow Elastomers
Teflon® is a registered trademark of DuPont Company

5000 series
hard seat



- 1 Body
- 2 Spring Pin
- 3 O-Ring
- 4 Back-up Ring
- 5 Set Screw
- 6 Handle
- 7 Blue Dust Cap
- 8 Bonnet
- 9 Stem
- 10 NPT Plug
- 11 Gasket
- 12 Bolt
- 13 Washer
- 14 Mini Stem
- 15 Mini Bonnet
- 16 Set Screw
- 17 Mini Handle
- 18 Green Dust Cap
- 19 Red Dust Cap

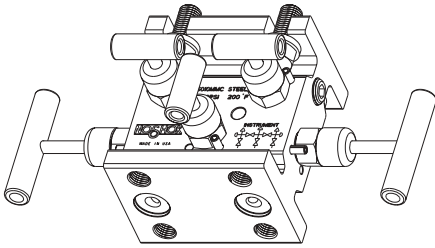
5100 series
soft seat



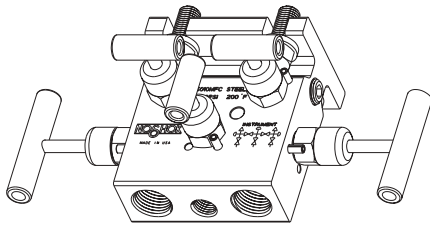
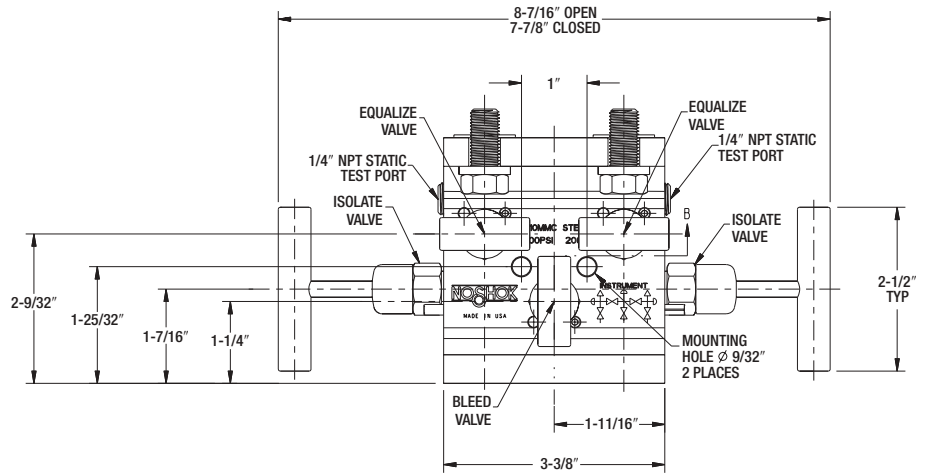
- 1 Body
- 2 NPT Plug
- 3 Set Screw
- 4 Handle
- 5 Green Dust Cap
- 6 Bonnet
- 7 Stem
- 8 Back-up Ring
- 9 O-Ring
- 10 Soft Seat
- 11 Gasket
- 12 Bolt
- 13 Washer
- 14 Mini Soft Tip Stem
- 15 Mini Bonnet
- 16 Blue Dust Cap
- 17 Set Screw
- 18 Mini Handle
- 19 Spring Pin
- 20 Red Dust Cap

5000SERIES

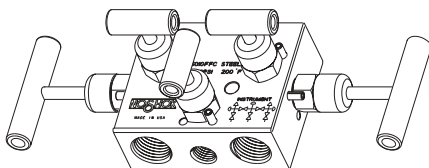
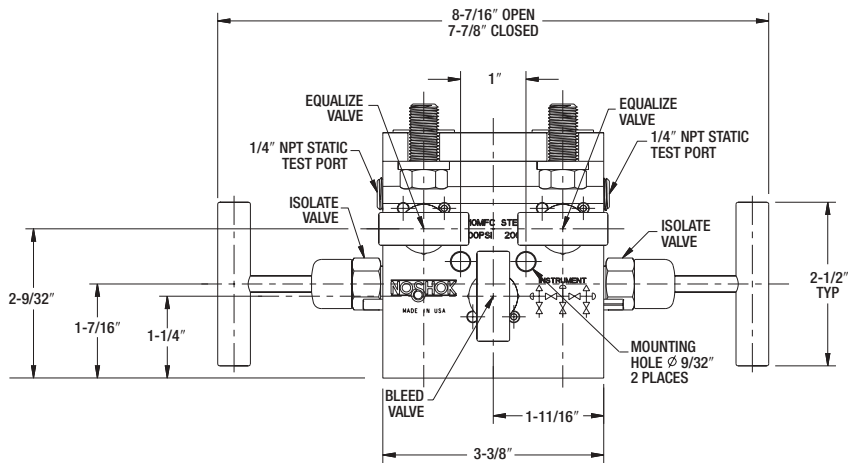
Manifold Valves



FLANGE-FLANGE



FLANGE-FEMALE



FEMALE-FEMALE

