

Model CC56 Electronic Scaling Counter



The CC56 is a battery powered scaling counter. It is capable of accepting both a DC pulse and a switch closure input.

It provides both five digit reset totalizer and a separate six digit non-reset totalizer. Optional functions are Rate of Flow display and scaled pulse output (requires both external power and an amplifier.)

Specifications

- Power:**
- Supplied with one AA battery
 - Lithium Batteries Saver Circuitry (Change batteries without memory loss)

- Sleep Mode:**
- If counter is not receiving pulses, the counter will enter a sleep mode to conserve battery power. In this mode, the display will be blank. The counter will awaken when it receives a pulse or when the reset button is pressed.

- Unit Descriptors:**
- GAL, LIT, BLANK, QRT, PNT
 - Rate displayed in units per min only.
 - Displays Low Battery Warning, (BAT)

Battery Life Expectancy:

BATT SIZE	12 HRS/DAY	24 HRS/DAY
(1) AA	3.5 YEARS	2 YEARS

LCD Display:

- Low temperature LCD, good to -40°F (-40°C)
- Reset 5 digits, on 0.4" LCD segment; programmable decimal position for 0, 1 or 2 decimals.

Non-Reset

6 digits, on 0.218" LCD segment; whole units only.

Rate

When this function is activated, it displays on the 0.4" LCD segment.

Rate is accessed by pressing the reset button.

Display Options:

- **Rate:** Activated by cutting of jumper.
- **Pulse:** With addition of an amplifier and DC power source, the CC56 will provide a scaled pulse output. Pulser is driven by the non-reset totalizer and provides either 1 or 10 pulses per unit of volume(whole units only).

Mounting Styles:

- Panel Mount
- Wall Mount NEMA 4X Enclosure
- Meter Mount NEMA 4X Enclosure
- NEMA 7/4 (Explosion Proof)
Class I, Division 1,
Groups B, C & D
Class II, Division 1,
Groups E, F & G

Environmental:

- **Operation Temperature:**
-40°F/C to 158°F (70°C)

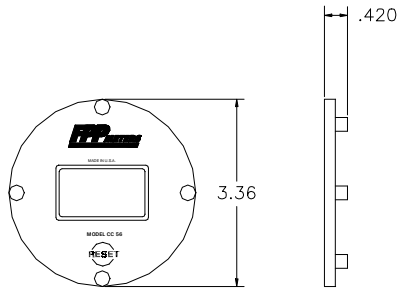
K-Factor:

- **Range:** 1.00-9999

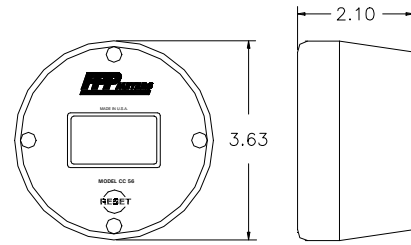
Inputs:

- Reed Switch or Hall Effect*
- *12-24 VDC Required
- 0-100 Hz Frequency
- 50/50 Duty Cycle

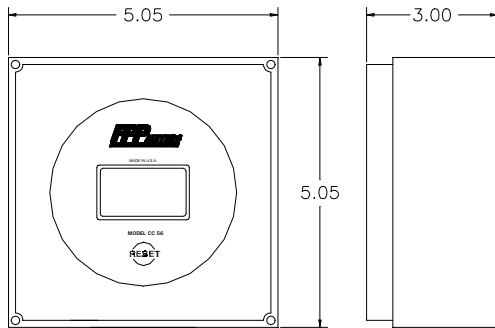
Enclosure options



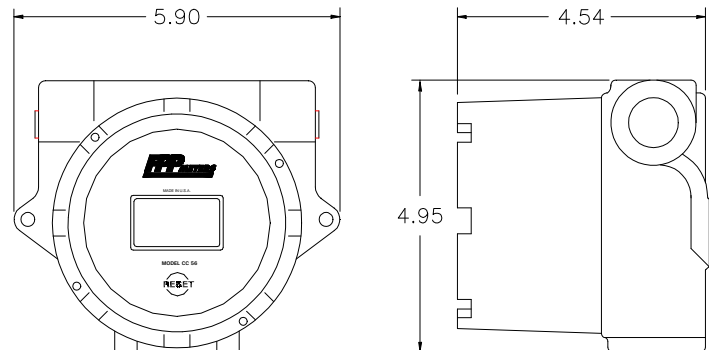
Remote mounting



NEMA 3R Enclosure



NEMA 4X Enclosure



NEMA 7/4 Enclosure

Warranty

Tuthill Transfer Systems ("Manufacturer") warrants to each buyer of its FPP Meters products (the "Buyer") for a period of 12 months from date of invoice or sales receipt, but in no event more than 18 months from date of manufacture, that goods of its manufacture ("Goods") will be free from defects of material and workmanship. Manufacturer's sole obligation under the foregoing warranties will be limited to either, at Manufacturers' option, replacing or repairing defective Goods (subject to limitations hereinafter provided) or refunding the purchase price for such Goods theretofore paid by the Buyer, and Buyer's exclusive remedy for breach of any such warranties will be enforcement of such obligations of Manufacturer. If Manufacturer so requests the return of the Goods, the Goods will be redelivered to Manufacturer in accordance with Manufacturer's instructions F.O.B. Factory. The remedies contained herein shall constitute the sole recourse of the Buyer against Manufacturer for breach of warranty. IN NO EVENT SHALL MANUFACTURER'S LIABILITY ON ANY

CLAIM FOR DAMAGES ARISING OUT OF THE MANUFACTURE SALE, DELIVERY OR USE OF THE GOODS EXCEED THE PURCHASE PRICE OF THE GOODS. The foregoing warranties will not extend to Goods subjected to misuse, neglect, accident or improper installation or maintenance, or which have been altered or repaired by anyone other than Manufacturer or its authorized representative. THE FOREGOING WARRANTIES ARE EXCLUSIVE AND IN LIEU OF ALL OTHER WARRANTIES OF MERCHANTABILITY, FITNESS FOR PURPOSE OF ANY OTHER TYPE, WHETHER EXPRESS OR IMPLIED. No person may vary the foregoing warranties and remedies except in writing signed by a duly authorized officer of Manufacturer. Warranties or remedies that differ from the foregoing shall not otherwise be binding on Manufacturer. The Buyer's acceptance of delivery of the Goods constitutes acceptance of the foregoing warranties and remedies, and all conditions and limitations thereof.